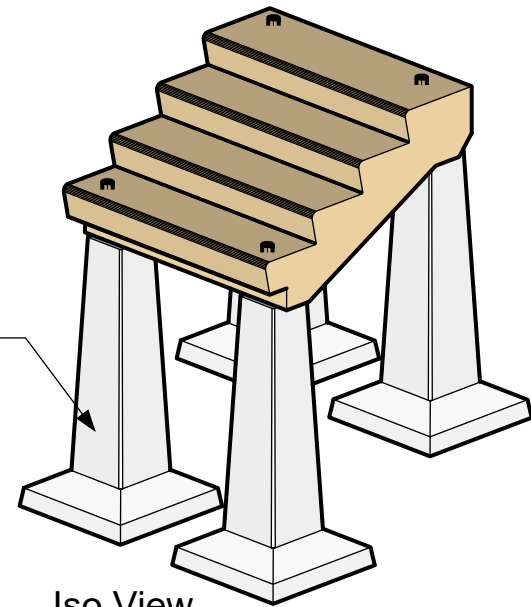


3/4" Lifting Insert - 4 (Typ)
 (To be patched in field by others)

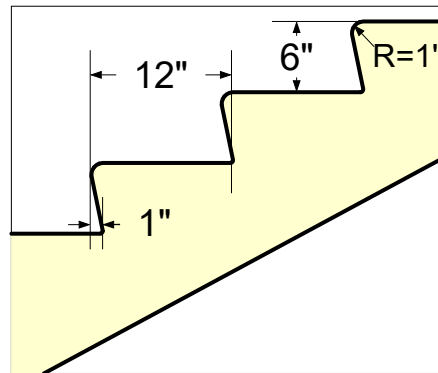
4' - 12'
 (In 1' Increments)

Top View



Precast Piers
 (Optional)

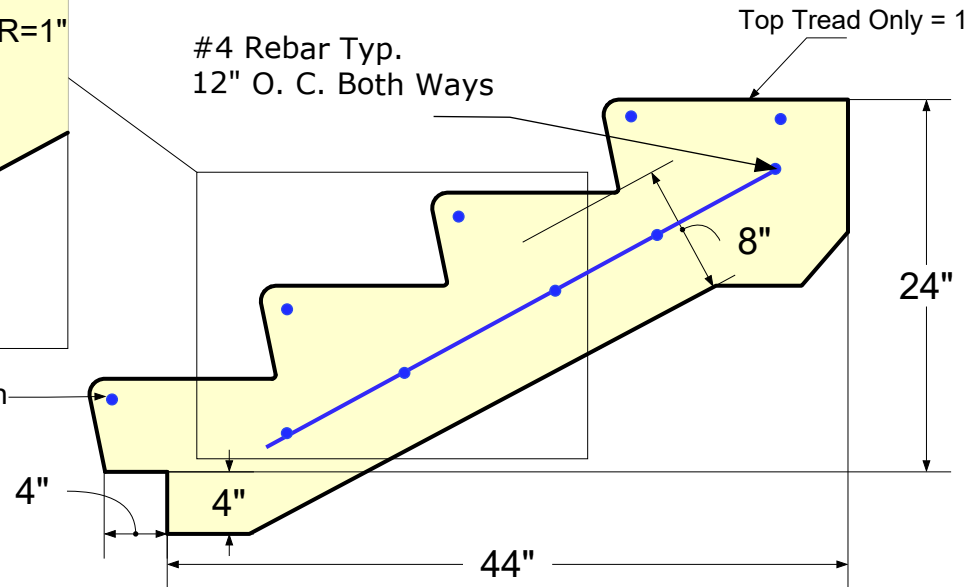
Iso View



#4 Rebar Typ.
 12" O. C. Both Ways

Top Tread Only = 16"

#4 Rebar Each
 Nose Typ.



Side View

Notes:

Casting Method: Wet Cast
 5000 Psi concrete at 28 days
 Non Slip surface on Treads
 All Steps to have a 1% min,
 Positive Pitch In Field

Step Weight = Width x 580 lb.

Ex: 10' wide = 10 x 580 = 5800 lb.

ATLAS CONCRETE PRODUCTS

www.AtlasConcrete.com

65 Burrirt St.

New Britain CT 06053

800-774-1112

860-224-2244

860-224-2255 Fax



4 Rise Custom Banking Step

Available in widths
 from 4' wide to 12' wide