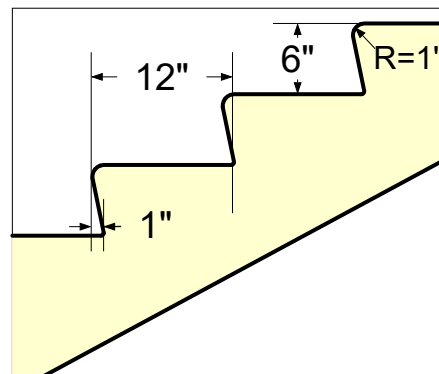


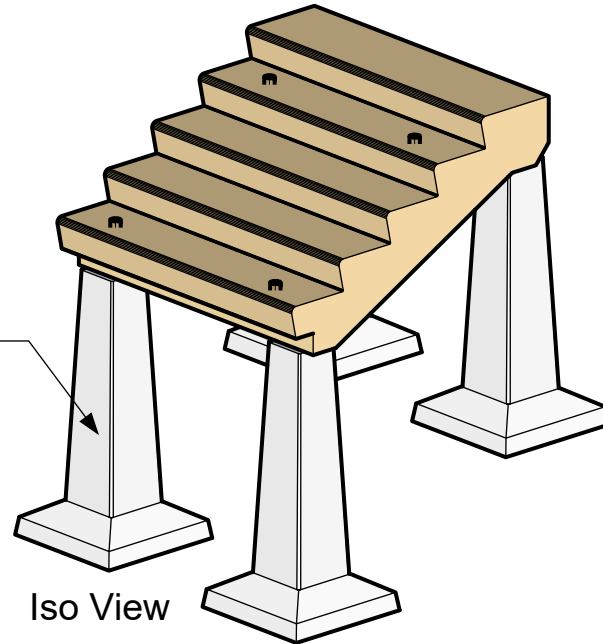
4' - 12'
(In 1' Increments)

Top View

3/4" Lifting Insert - 4 (Typ)
(To be patched in field by others)



Precast Piers
(Optional)



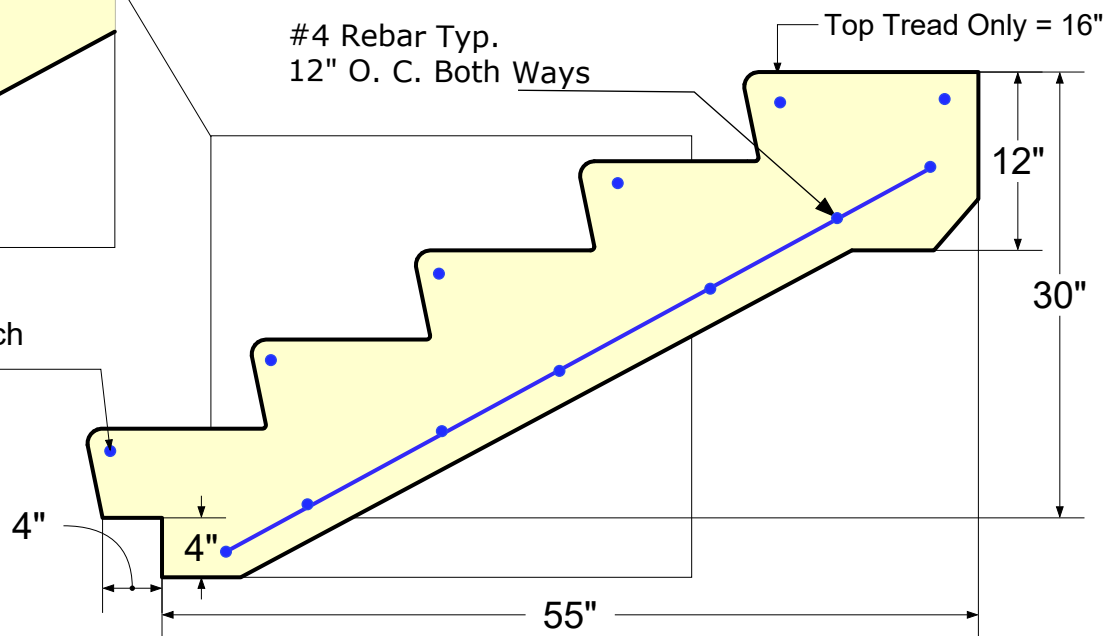
Iso View

Notes:

Casting Method: Wet Cast
5000 Psi concrete at 28 days
Non Slip surface on Treads
All Steps to have a 1% min,
Positive Pitch In Field
Step Weight = Width x 720 lb.
Ex: 10' wide = 10 x 720 = 7200lb.

#4 Rebar Typ.
12" O. C. Both Ways

#4 Rebar Each
Nose Typ.



Side View

ATLAS CONCRETE PRODUCTS

www.AtlasConcrete.com

65 Burritt St.

New Britain CT 06053

800-774-1112

860-224-2244

860-224-2255 Fax



5 Rise Custom Banking Step

Available in widths
from 4' wide to 12' wide