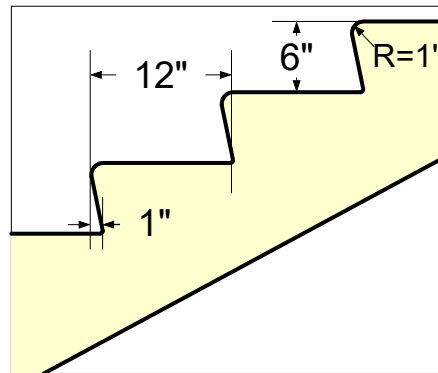
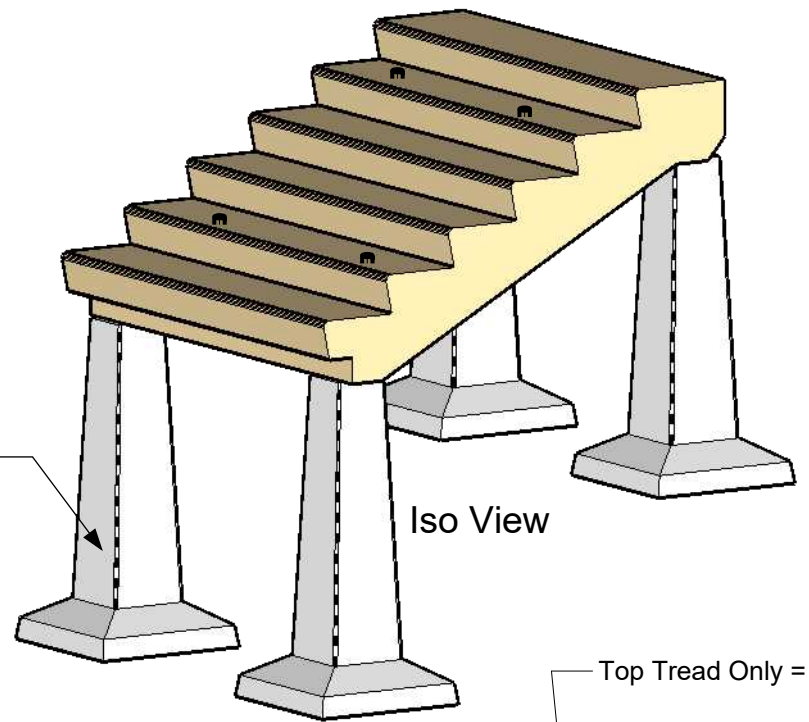


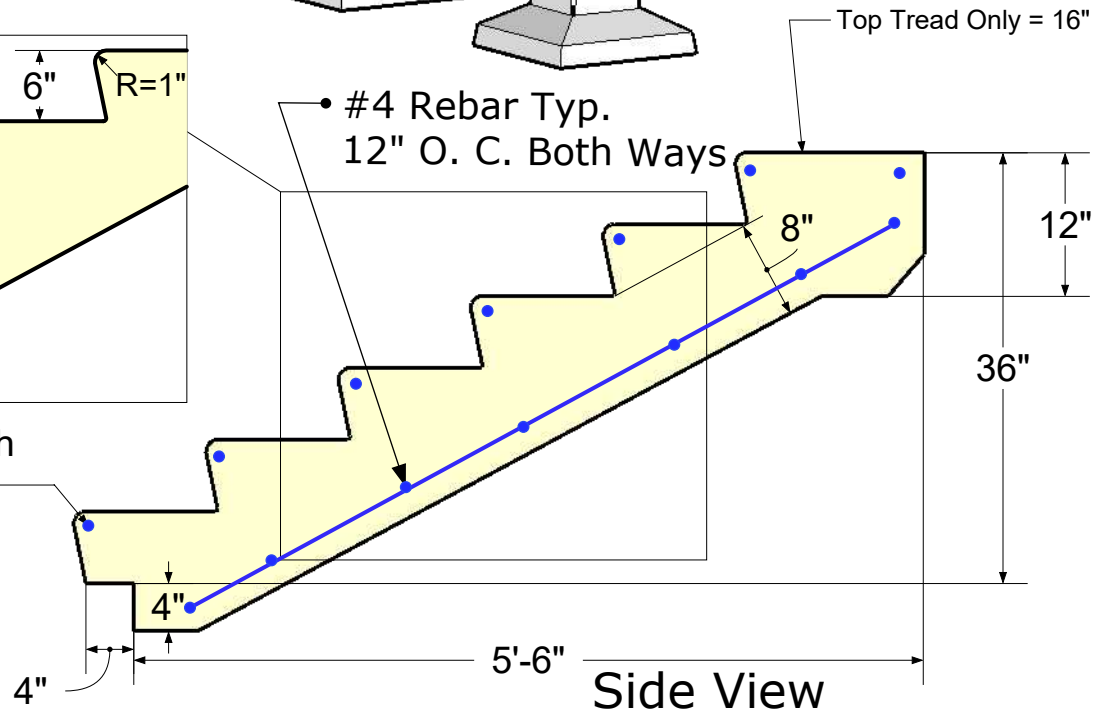
Top View

4' - 12'
In 1' Increments



#4 Rebar Each Nose Typ.

#4 Rebar Typ.
12" O. C. Both Ways



Notes:

Casting Method: Wet Cast
5000 Psi concrete at 28 days
Non Slip surface on Treads
All Steps to have a 1% min,
Positive Pitch In Field
Step Weight = Width x 875lb.
Ex: 10' wide = 10 x 875 = 8750lb.

ATLAS CONCRETE PRODUCTS

www.AtlasConcrete.com

65 Burritt St.

New Britain CT 06053

800-774-1112

860-224-2244

860-224-2255 Fax



6 Rise Custom Banking Step

Available in widths
from 4' wide to 12' wide