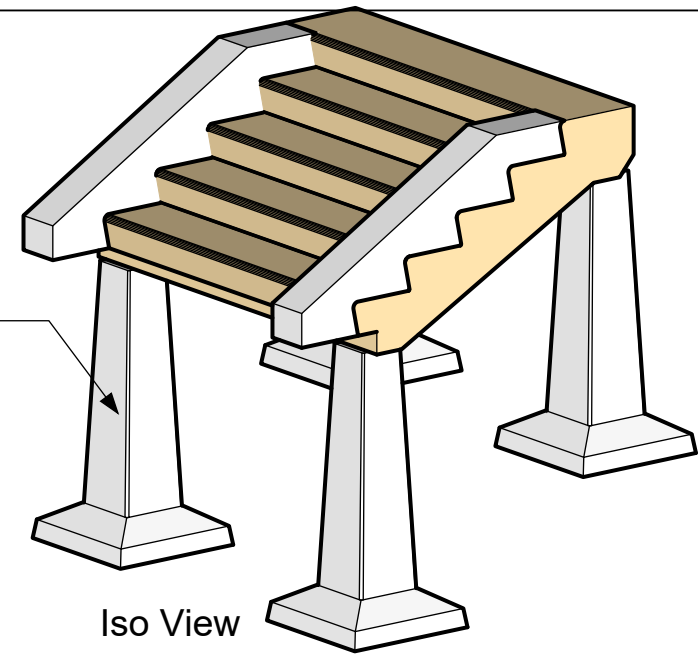
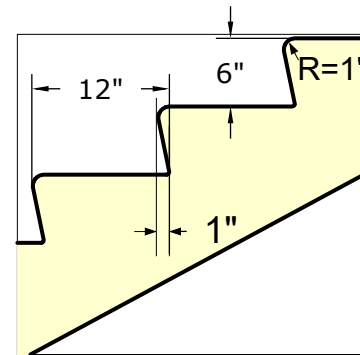


3/4" Lifting Insert - 4 (Typ)
(To be patched in field by others)

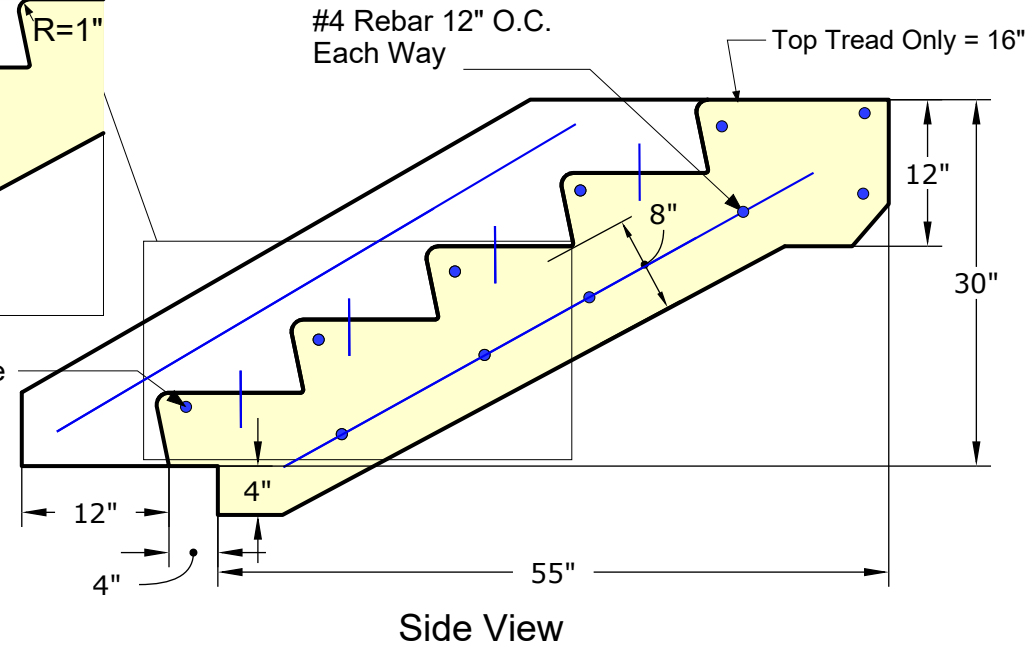
Precast Piers
(Optional)



Notes:
 Casting Method: Wet Cast
 Pouring Method: 2 Pour Method
 1st pour Stairs
 2nd pour Curbs
 5000 Psi concrete at 28 days
 Non Slip surface on Treads
 All Steps to have a 1% min,
 Positive Pitch In Field
 Step Weight = Width x 900 lb.
 Ex: 10' wide = 10 x 900 = 9000lb.



#4 Rebar Each Nose



ATLAS CONCRETE PRODUCTS

www.AtlasConcrete.com

65 Burritt St.
New Britain CT 06053

800-774-1112
860-224-2244
860-224-2255 Fax

ATLAS
Concrete Products

5 Rise Custom
Banking Step with Curbs

Available in widths
from 4' wide to 10' wide