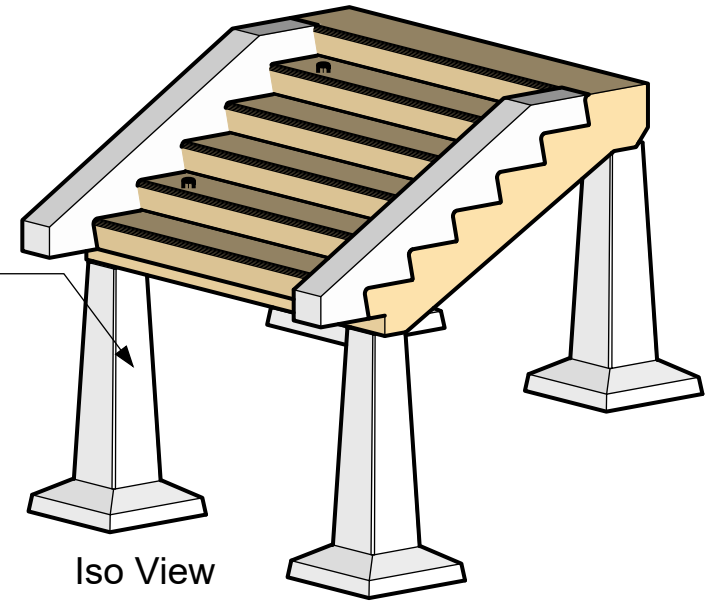


Top View

3/4" Lifting Insert - 4 (Typ)
(To be patched in field by others)

Precast Piers
(Optional)



Iso View

Notes:

Casting Method: Wet Cast

Pouring Method: 2 Pour Method

1st pour Stairs

2nd pour Curbs

5000 Psi concrete at 28 days

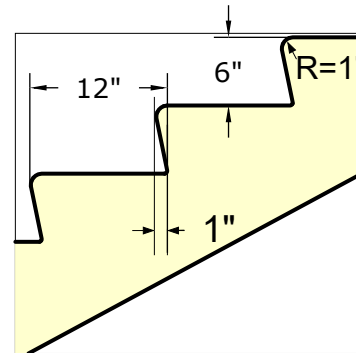
Non Slip surface on Treads

All Steps to have a 1% min,

Positive Pitch In Field

Step Weight = Width x 1080 lb.

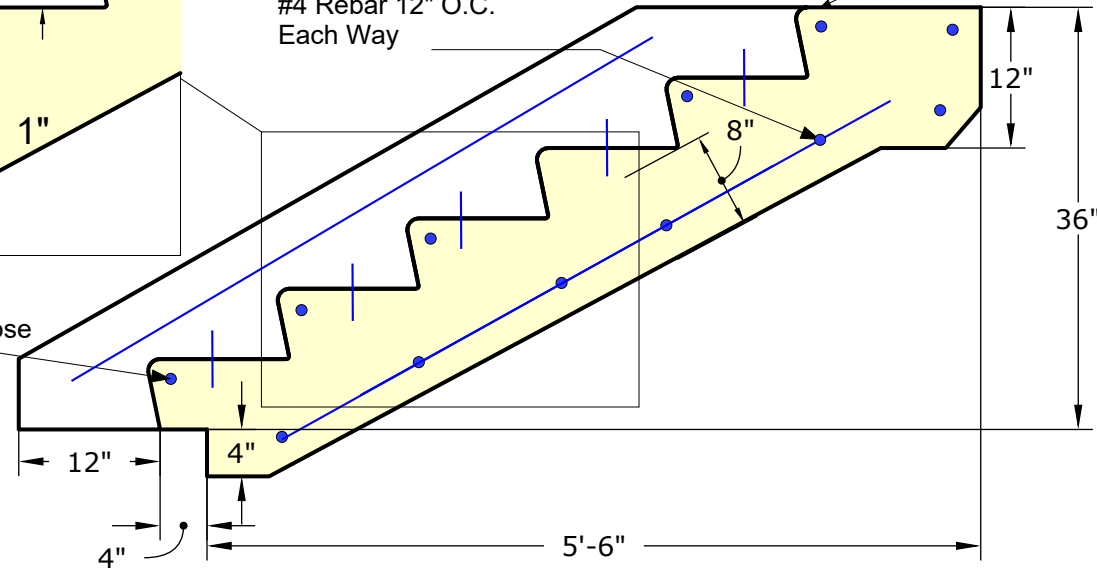
Ex: 10' wide = 10 x 1080 = 10800 lb.



#4 Rebar 12" O.C.
Each Way

Top Tread Only = 16"

#4 Rebar Each Nose



Side View

ATLAS CONCRETE PRODUCTS

www.AtlasConcrete.com

65 Burritt St.
New Britain CT 06053

800-774-1112
860-224-2244
860-224-2255 Fax

ATLAS
Concrete Products

6 Rise Custom
Banking Step with Curbs

Available in widths
from 4' wide to 10' wide