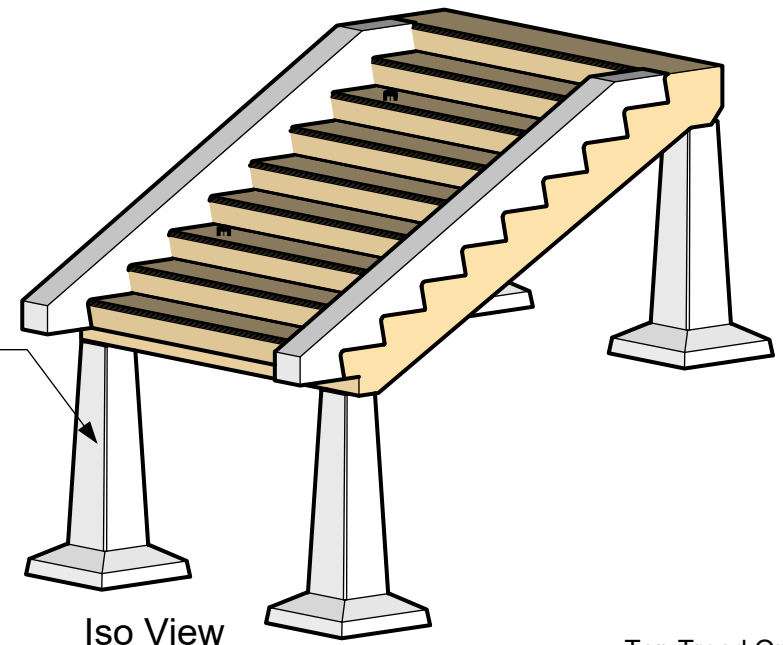


4' - 10'  
(In 1' Increments)

Top View

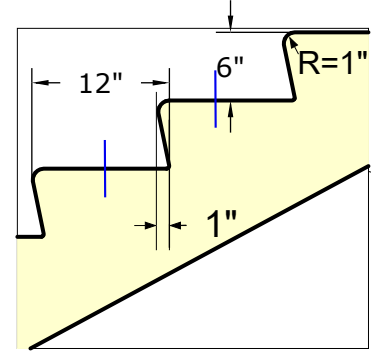
3/4" Lifting Insert - 4 (Typ)  
(To be patched in field by others)



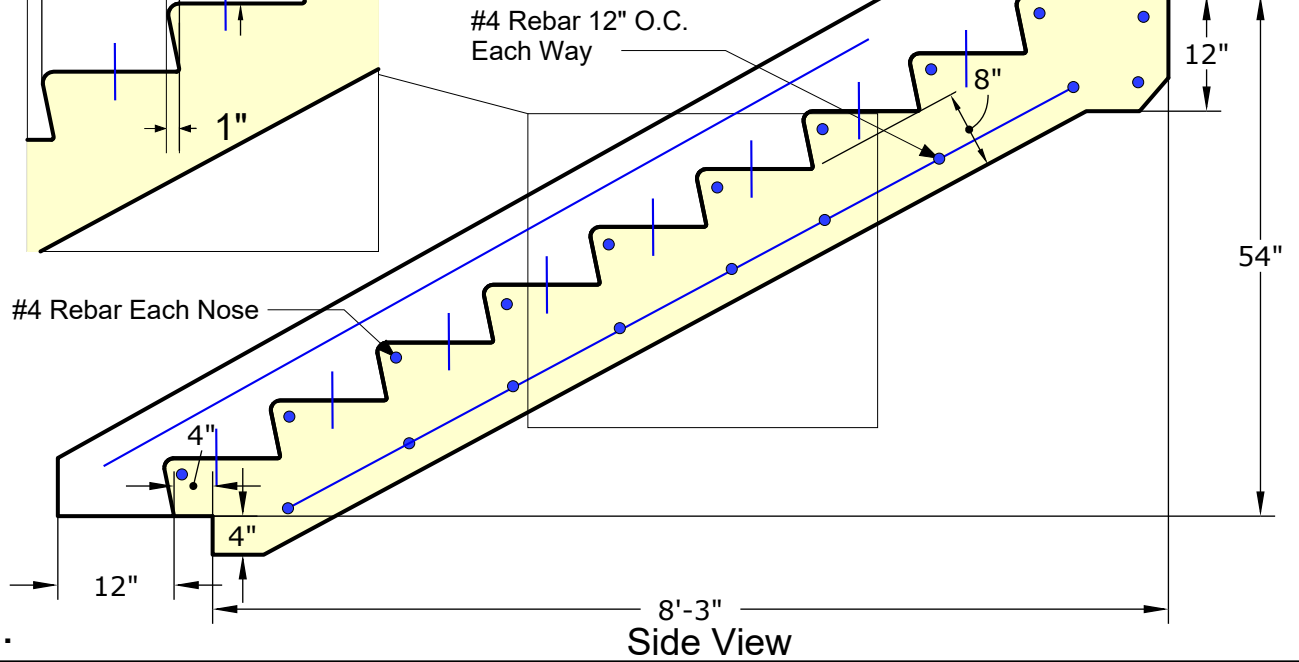
Precast Piers  
(Optional)

Iso View

**Notes:**  
 Casting Method: Wet Cast  
 Pouring Method: 2 Pour Method  
 1st pour Stairs  
 2nd pour Curbs  
 5000 Psi concrete at 28 days  
 Non Slip surface on Treads  
 All Steps to have a 1% min,  
 Positive Pitch In Field  
 Step Weight = Width x 1625 lb.  
 Ex: 10' wide = 10 x 1625 = 16250 lb.



#4 Rebar Each Nose



#4 Rebar 12" O.C.  
Each Way

8'-3"  
Side View

**ATLAS CONCRETE PRODUCTS**

www.AtlasConcrete.com

65 Burritt St.  
New Britain CT 06053

800-774-1112  
860-224-2244  
860-224-2255 Fax

**ATLAS**  
Concrete Products

9 Rise Custom  
Banking Step with Curbs

Available in widths  
from 4' wide to 10' wide