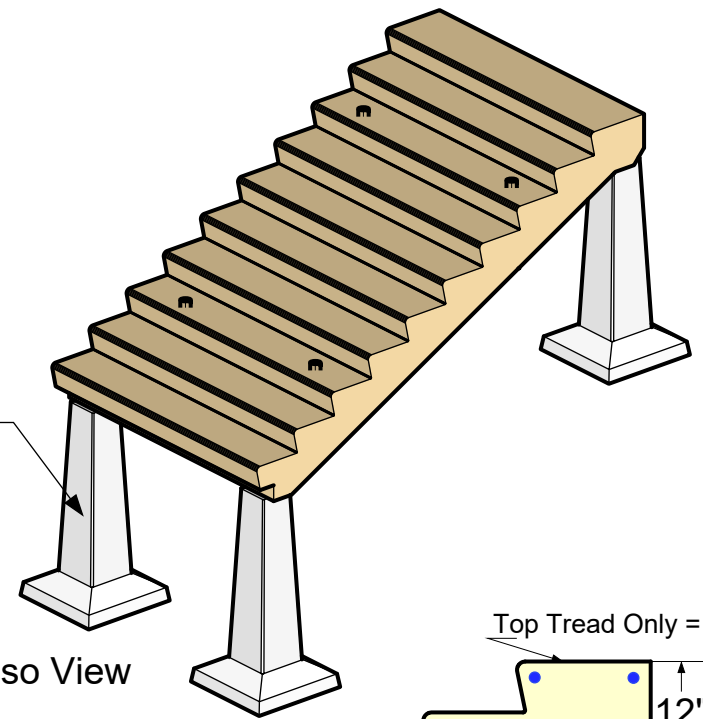
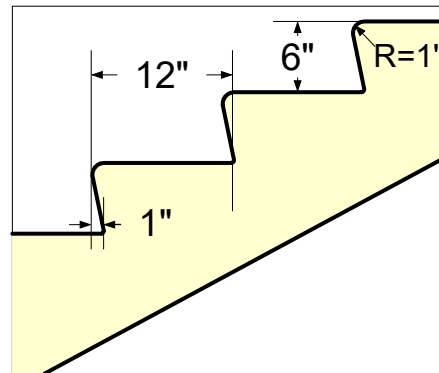


Top View

3/4" Lifting Insert - 4 (Typ)  
 (To be patched in field by others)

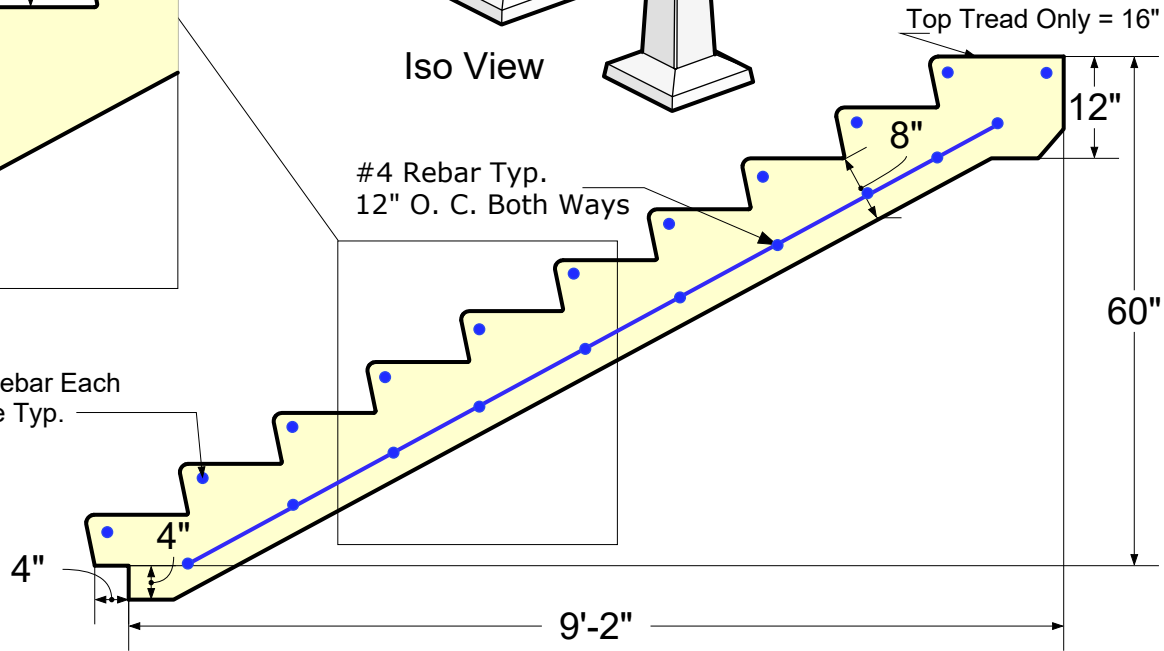


Iso View

Precast Piers  
 (Optional)

#4 Rebar Each  
 Nose Typ.

#4 Rebar Typ.  
 12" O. C. Both Ways



Side View

**Notes:**

Casting Method: Wet Cast  
 5000 Psi concrete at 28 days  
 Non Slip surface on Treads  
 All Steps to have a 1% min,  
 Positive Pitch In Field  
 Step Weight = Width x 1450 lb.  
 Ex: 10' wide = 10 x 1450 = 14500 lb.

**ATLAS CONCRETE PRODUCTS**

www.AtlasConcrete.com

65 Burritt St.

New Britain CT 06053

800-774-1112

860-224-2244

860-224-2255 Fax



10 Rise Custom Banking Step

Available in widths  
 from 4' wide to 12' wide