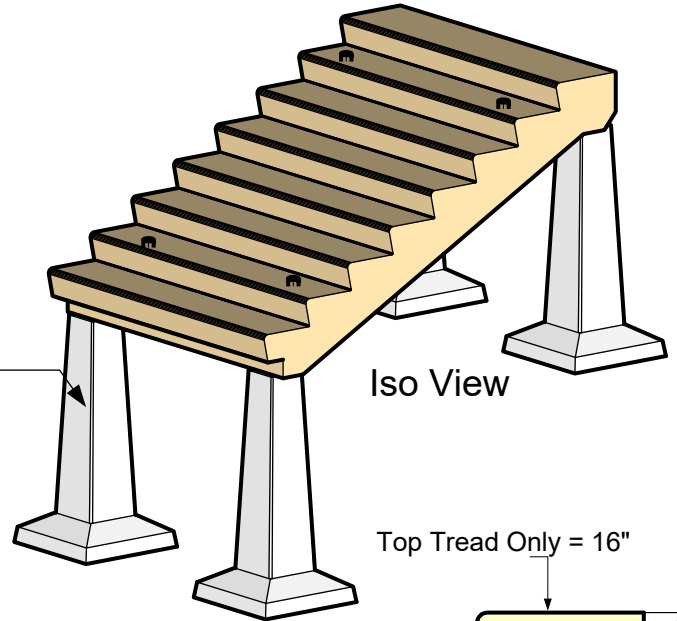


3/4" Lifting Insert - 4 (Typ)
(To be patched in field by others)

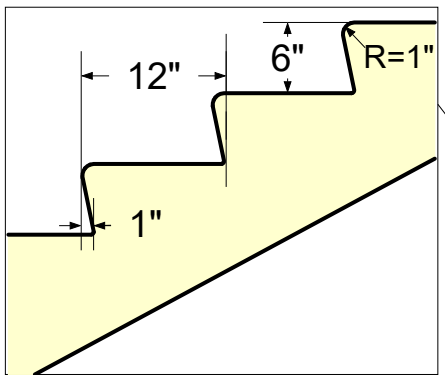
Top View
4' - 12'
In 1' Increments



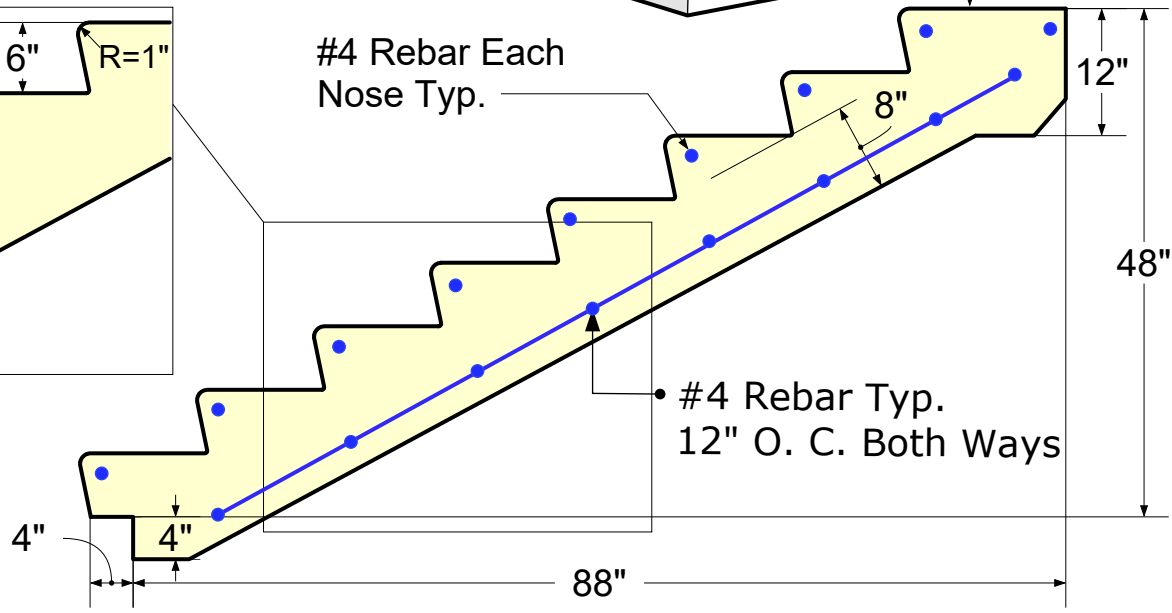
Precast Piers
(Optional)

Iso View

Top Tread Only = 16"



#4 Rebar Each
Nose Typ.



#4 Rebar Typ.
12" O. C. Both Ways

Side View

Notes:

Casting Method: Wet Cast
5000 Psi concrete at 28 days
Non Slip surface on Treads
All Steps to have a 1% min,
Positive Pitch In Field
Step Weight = Width x 1200lb.
Ex: 10' wide = 10' x 1200 = 12,000lb.

ATLAS CONCRETE PRODUCTS
www.AtlasConcrete.com
65 Burritt St.
New Britain CT 06053
800-774-1112
860-224-2244
860-224-2255 Fax



8 Rise Custom Banking Step

Available in widths
from 4' wide to 12' wide