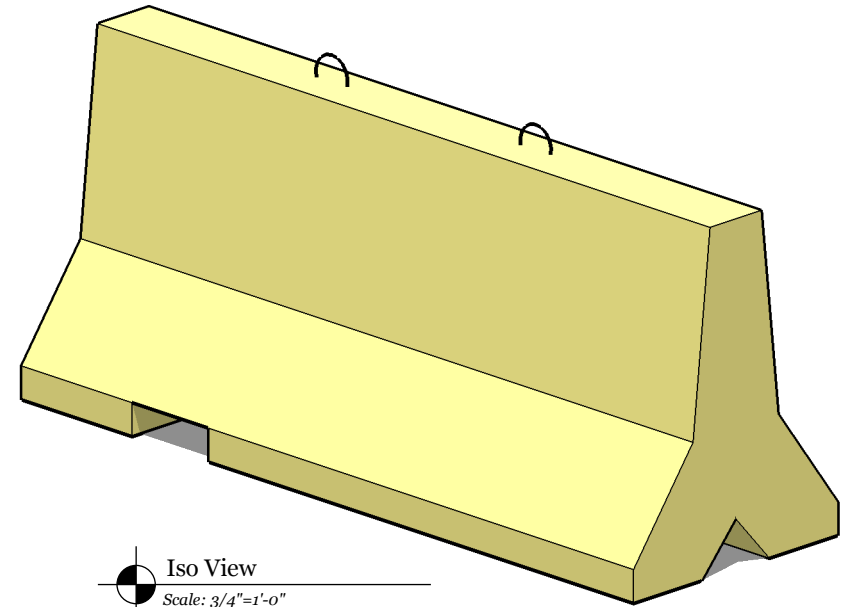
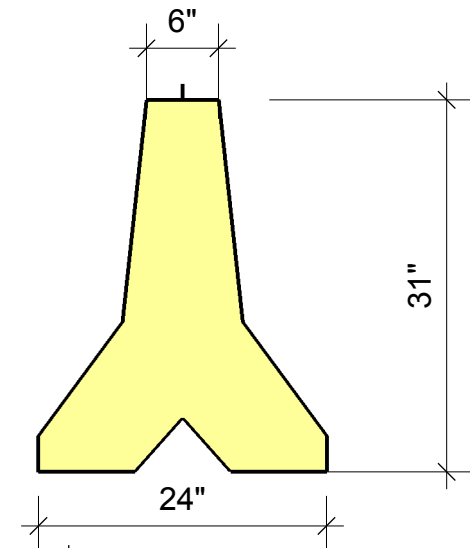


Top View  
Scale: 3/4"=1'-0"



Iso View  
Scale: 3/4"=1'-0"



Right Side View  
Scale: 3/4"=1'-0"

**ATLAS CONCRETE PRODUCTS**

www.AtlasConcrete.com

65 Burritt St.  
New Britain CT 06053

800-774-1112  
860-224-2244  
860-224-2255 Fax



**6' Road Divider**

Item# 6' Barrier

2000 lbs