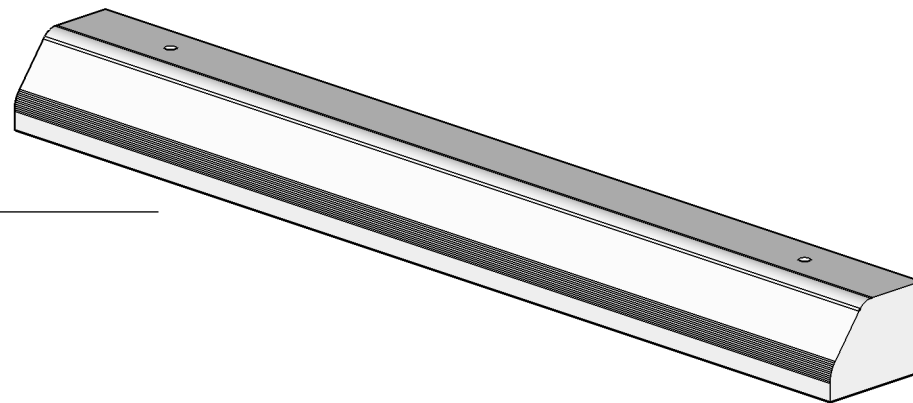
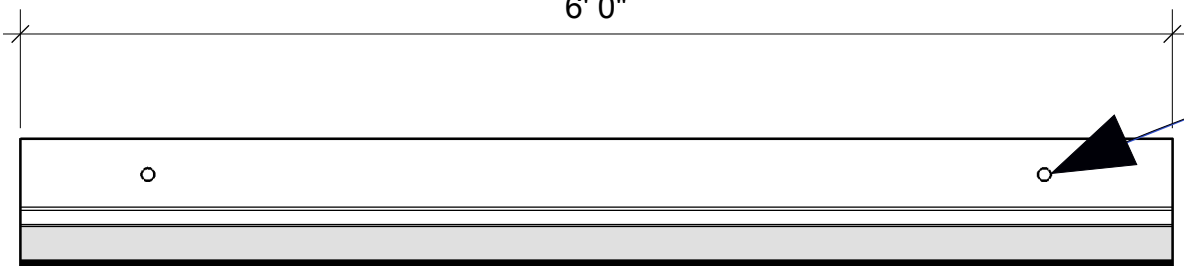


Iso View
Scale: NTS

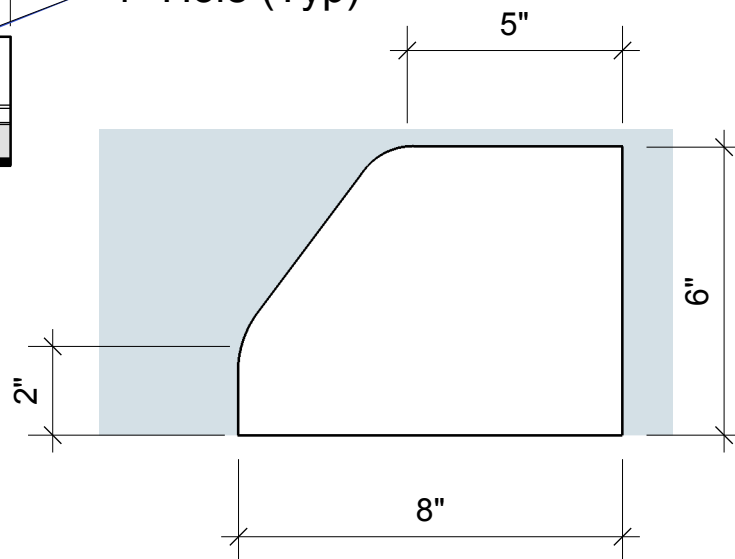


6' 0"



Top View
Scale: NTS

1" Hole (Typ)



Right Side View
Scale: NTS

ATLAS CONCRETE PRODUCTS

www.AtlasConcrete.com

65 Burritt St.
New Britain CT 06053

800-774-1112
860-224-2244
860-224-2255 Fax



Parking Curbs

Item# Parking Curbs

275 lbs