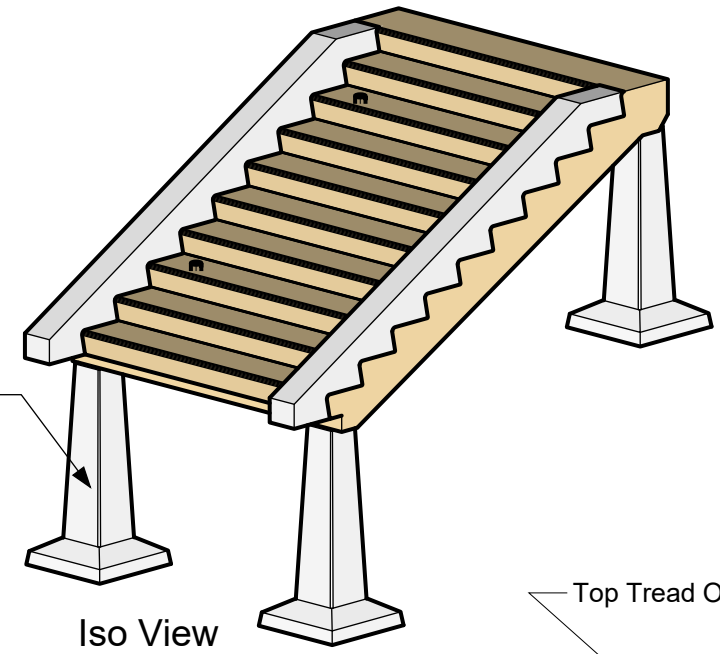


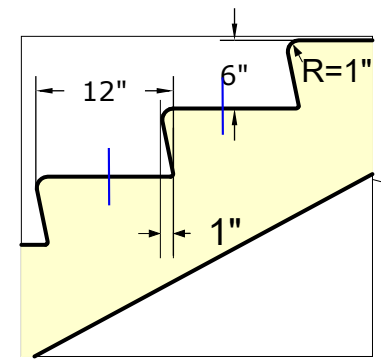
Top View

3/4" Lifting Insert - 4 (Typ)  
(To be patched in field by others)



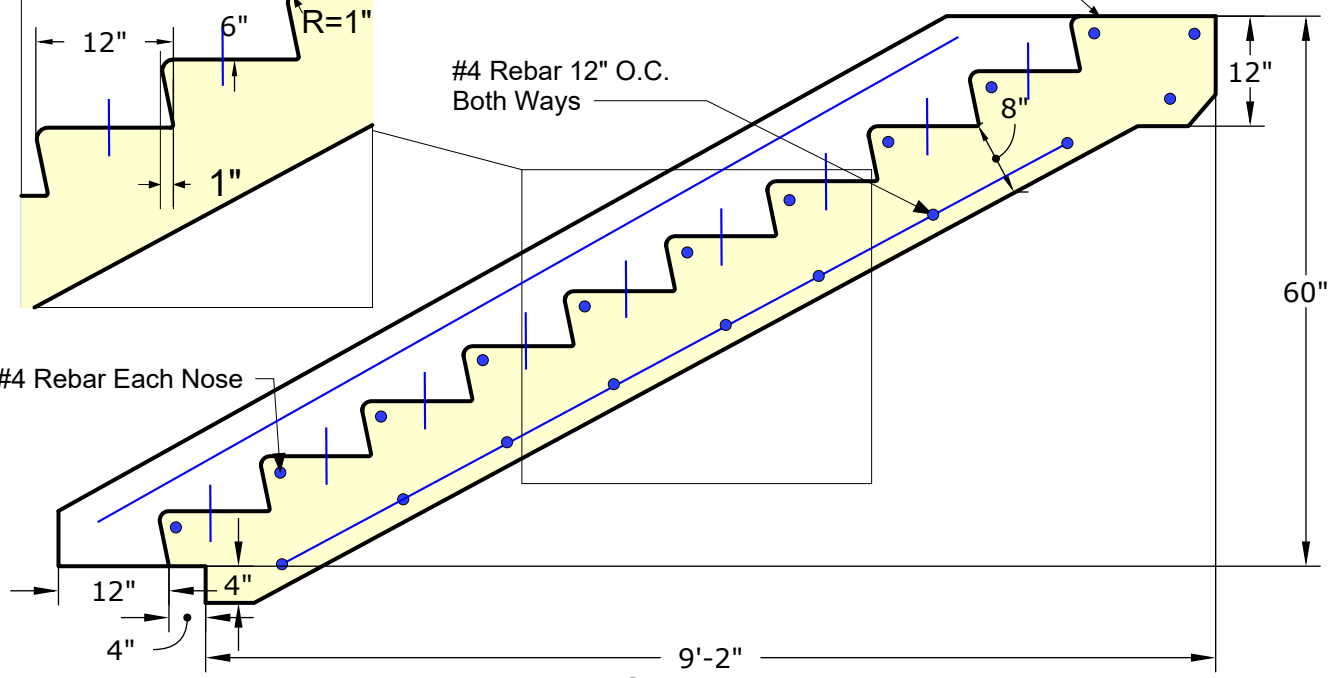
Iso View

Precast Piers  
(Optional)



#4 Rebar 12" O.C.  
Both Ways

#4 Rebar Each Nose



Side View

**Notes:**

Casting Method: Wet Cast  
Pouring Method: 2 Pour Method  
1st pour Stairs  
2nd pour Curbs  
5000 Psi concrete at 28 days  
Non Slip surface on Treads  
All Steps to have a 1% min,  
Positive Pitch In Field  
Step Weight = Width x 1800 lb.  
Ex: 10' wide = 10 x 1800 = 18000lb.

**ATLAS CONCRETE PRODUCTS**

www.AtlasConcrete.com

65 Burritt St.  
New Britain CT 06053

800-774-1112  
860-224-2244  
860-224-2255 Fax

**ATLAS**  
**Concrete Products**

10 Rise Custom  
Banking Step with Curbs

Available in widths  
from 4' wide to 10' wide