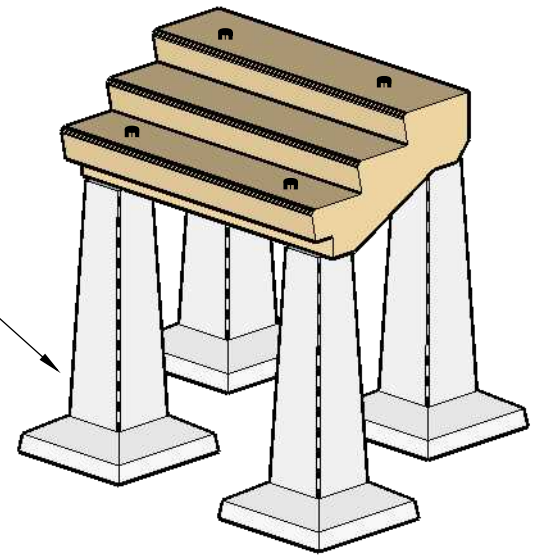


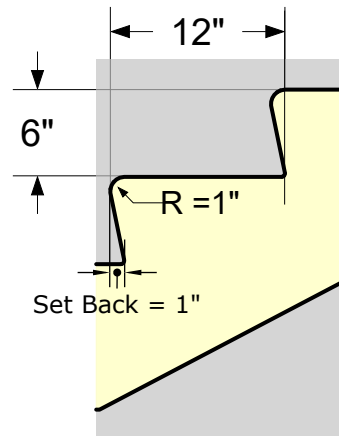
Top View

3/4" Lifting Insert - 4 (Typ)
(To be patched in field by others)



Iso View

Precast Piers
(Optional)

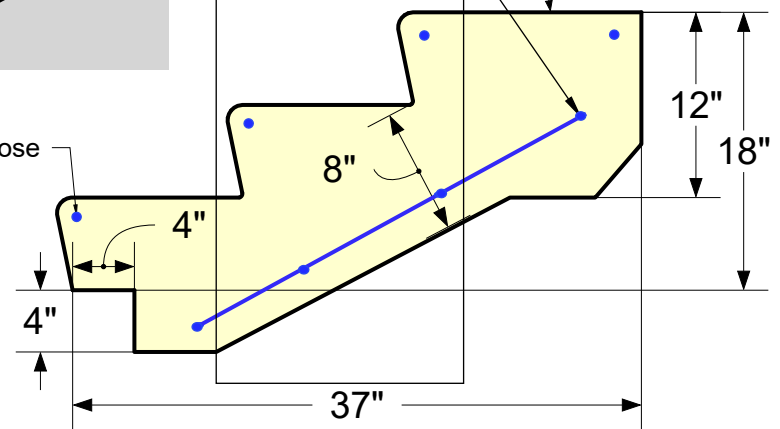


Set Back = 1"

#4 Rebar Typ.
12" O. C. Both Ways

Top Tread Only = 16"

#4 Rebar Typ. Each Nose



Side View

Notes:
 Casting Method: Wet Cast
 5000 Psi concrete at 28 days
 Non Slip surface on Treads
 All Steps to have a 1% min,
 Positive Pitch In Field
 Step Weight = Width x 435 lb.
 Ex: 10' wide = 10 x 435 = 4350 lb.

ATLAS CONCRETE PRODUCTS

www.AtlasConcrete.com

65 Burrirt St.

New Britain CT 06053

800-774-1112

860-224-2244

860-224-2255 Fax



3 Rise Custom
Banking Step

Available in widths
from 4' wide to 12' wide