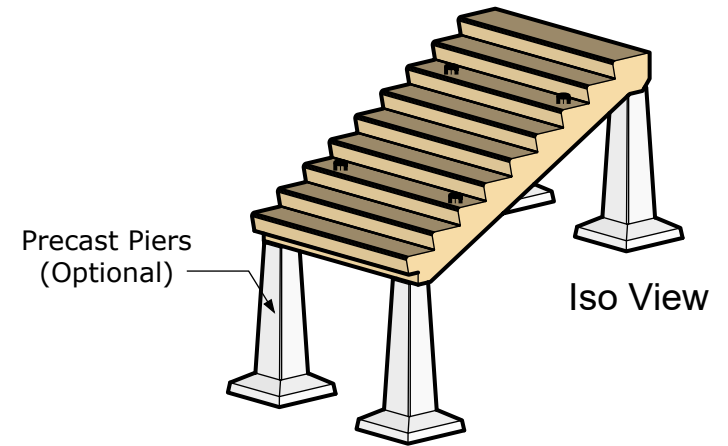
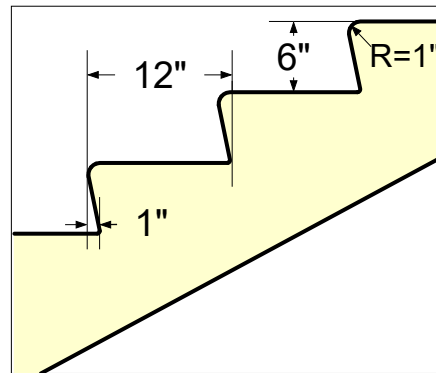


Top View

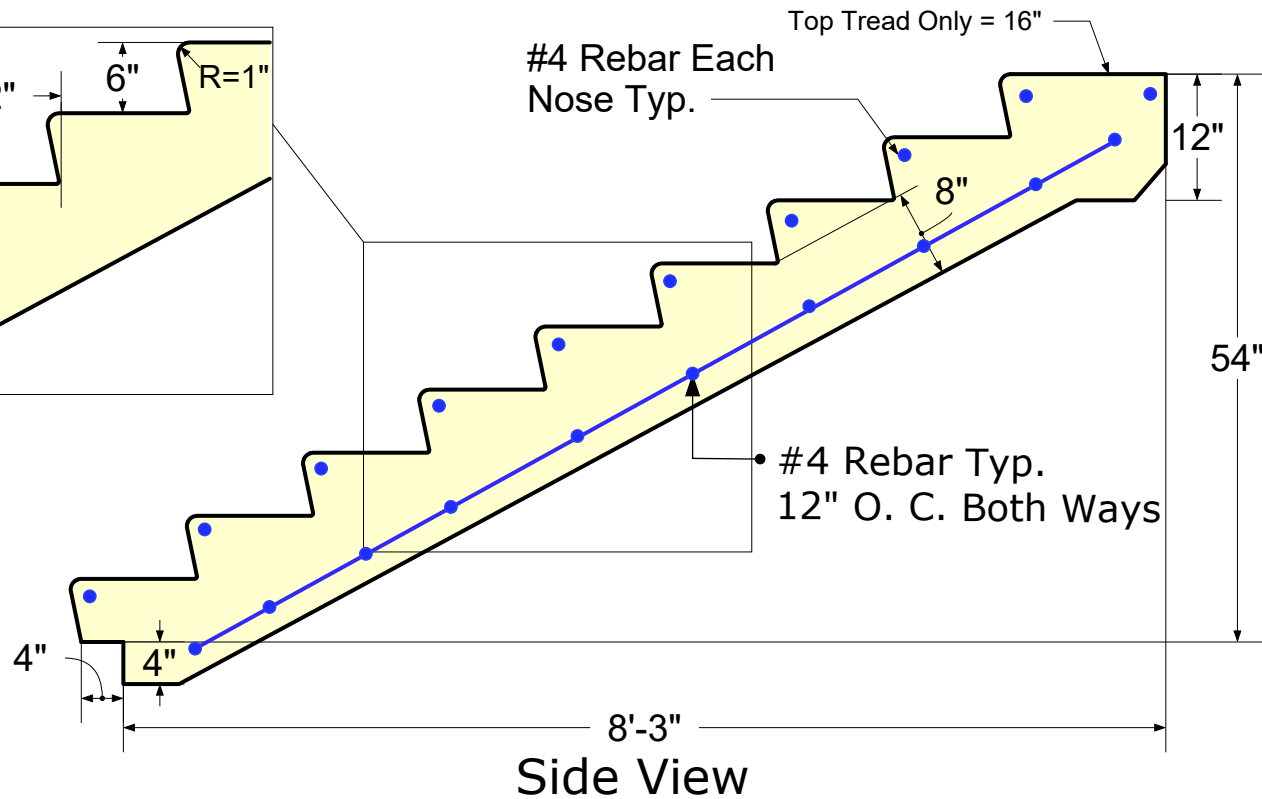
4' - 12'
In 1' Increments

3/4" Lifting Insert - 4 (Typ)
(To be patched in field by others)



Precast Piers
(Optional)

Iso View



#4 Rebar Each
Nose Typ.

#4 Rebar Typ.
12" O. C. Both Ways

Side View

Notes:

Casting Method: Wet Cast
5000 Psi concrete at 28 days

Non Slip surface on Treads

All Steps to have a 1% min,
Positive Pitch In Field

Step Weight = Width x 1300lb.

Ex: 10' wide = 10' x 1300 = 13,000lb.

ATLAS CONCRETE PRODUCTS

www.AtlasConcrete.com

65 Burrirt St.

New Britain CT 06053

800-774-1112

860-224-2244

860-224-2255 Fax



9 Rise Custom Banking Step

Available in widths
from 4' wide to 12' wide