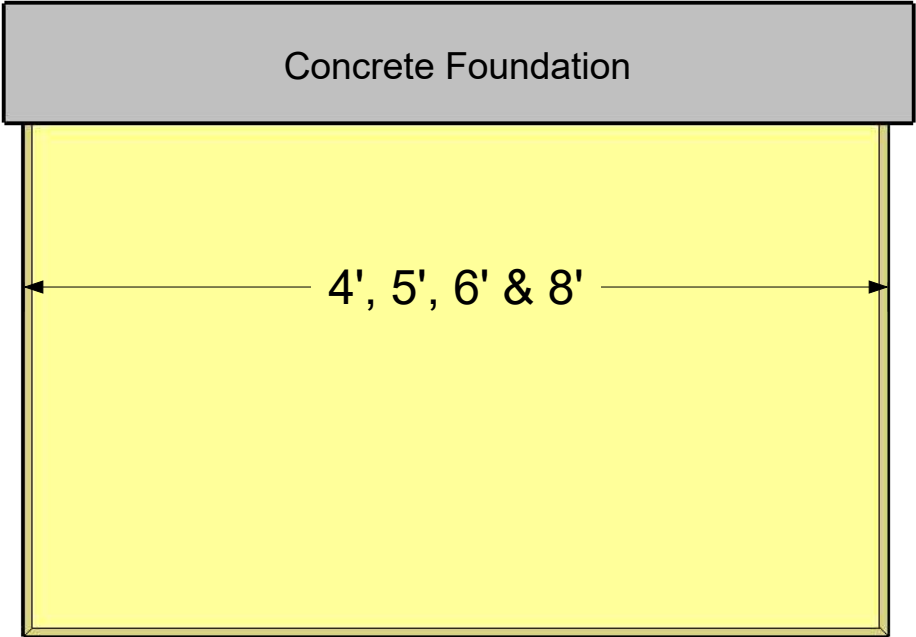
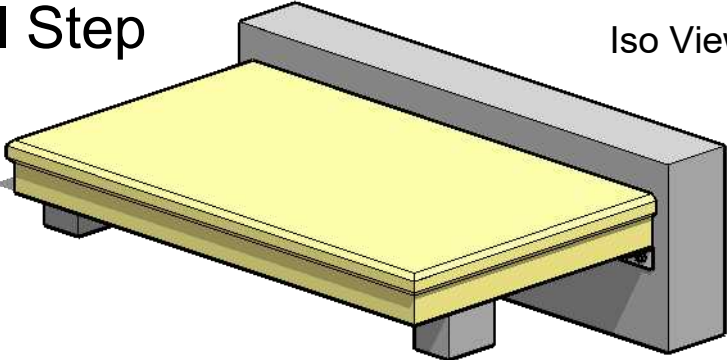


# 1 Rise Commercial Step

Iso View

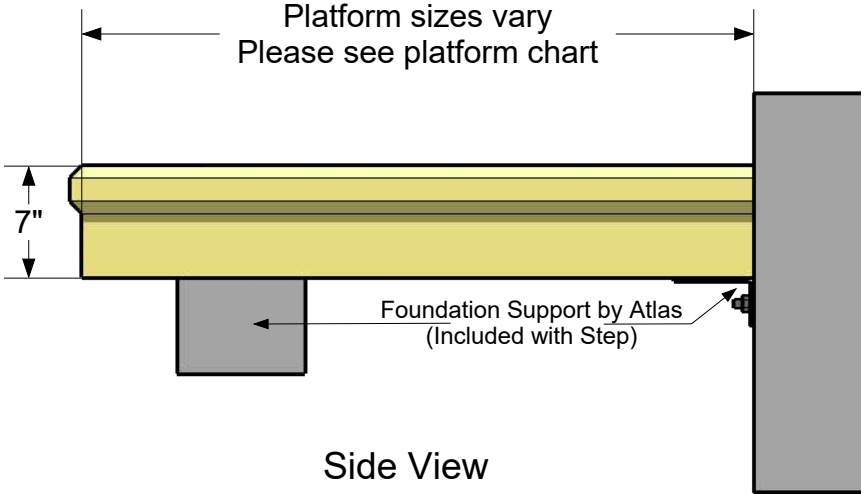


Top View

Platform Chart

Step Width	Available Platform Sizes			
4'	11" *	42"	48"	60"
5'	11" *	42"	48"	60"
6'	11" *	42"	48"	
8'	11" *	42"	48"	

\* Top tread depth varies from 11" - 14"



Side View

## Notes

Concrete Compressive Strength -  
 5000 PSI at 28 Days  
 Reinforcement #3 Grade 60  
 Pipe Rails Optional

### ATLAS CONCRETE PRODUCTS

www.AtlasConcrete.com

65 Burritt St.  
 New Britain CT 06053

800-774-1112  
 860-224-2244



1 Rise Commercial Step  
 Available in 4', 5', 6' & 8'  
 Widths