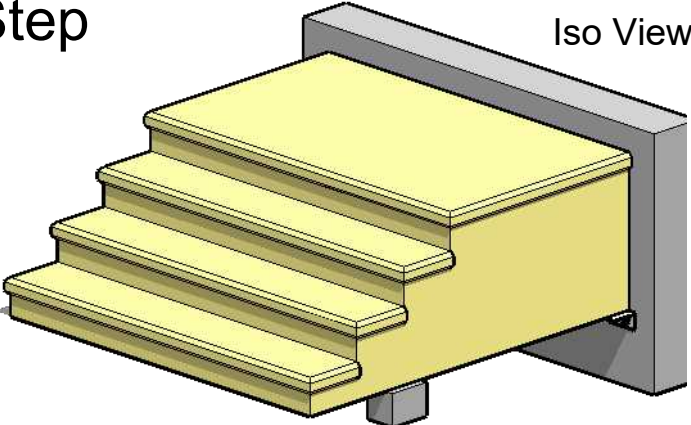
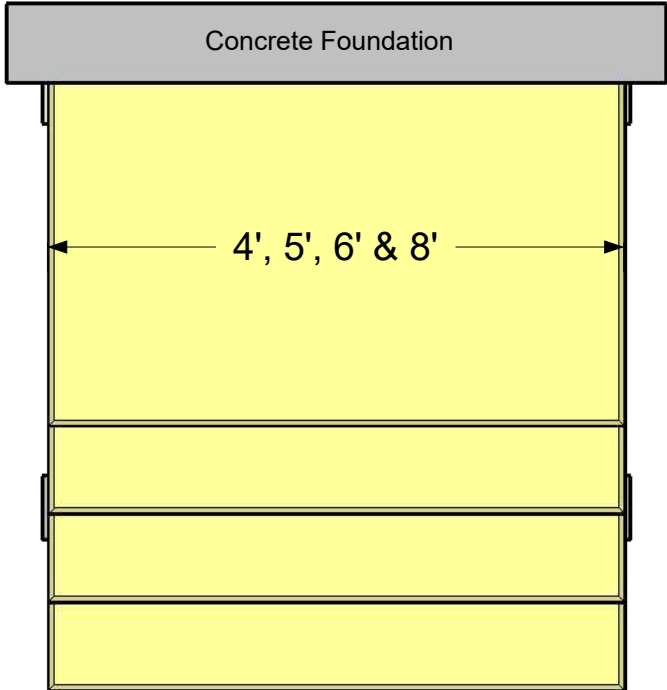


4 Rise Commercial Step



Iso View

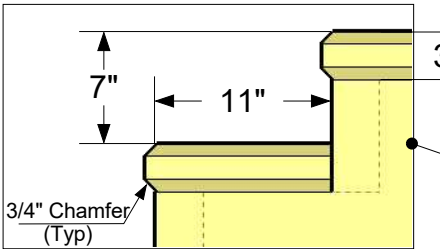


Top View

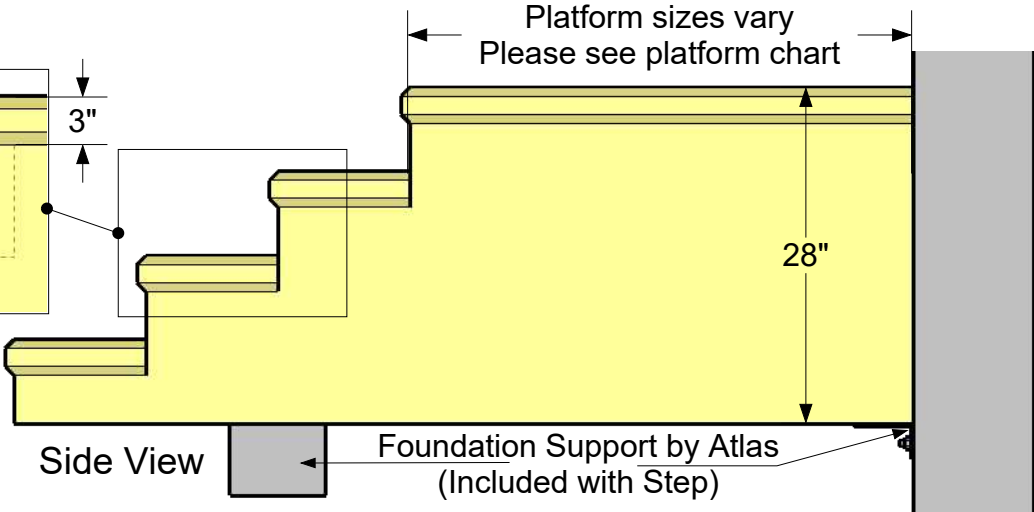
Platform Chart

Step Width	Available Platform Sizes			
4'	11" *	42"	48"	60"
5'	11" *	42"	48"	60"
6'	11" *	42"	48"	
8'	11" *	42"	48"	

* Top tread depth varies from 11" - 14"



3/4" Chamfer (Typ)



Side View

Foundation Support by Atlas (Included with Step)

Notes

Concrete Compressive Strength - 5000 PSI at 28 Days
 Reinforcement #3 Grade 60
 Pipe Rails Optional

ATLAS CONCRETE PRODUCTS

www.AtlasConcrete.com

65 Burrirt St.
 New Britain CT 06053

800-774-1112
 860-224-2244



4 Rise Commercial Step
 Available in 4', 5', 6' & 8'
 Widths