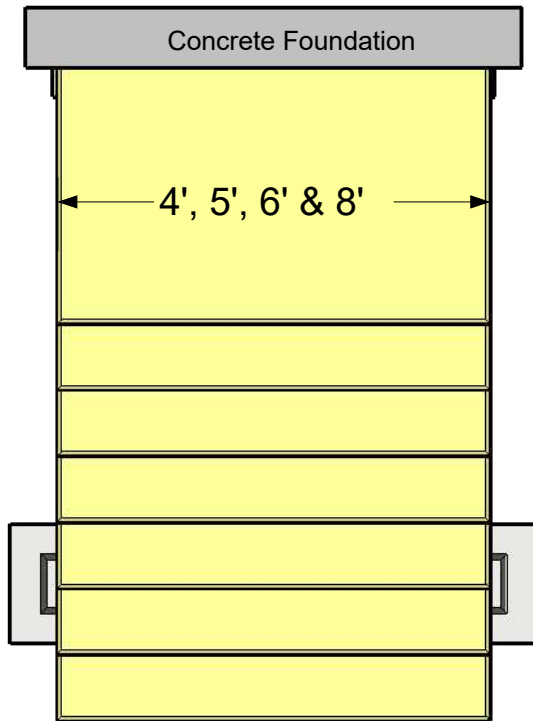
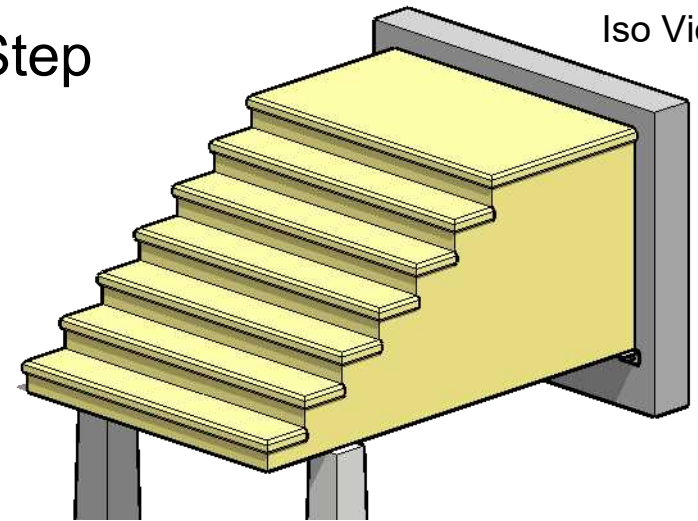


# 7 Rise Commercial Step

Iso View



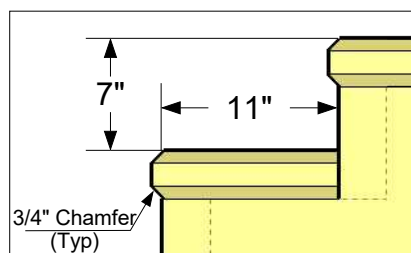
Top View

Platform Chart

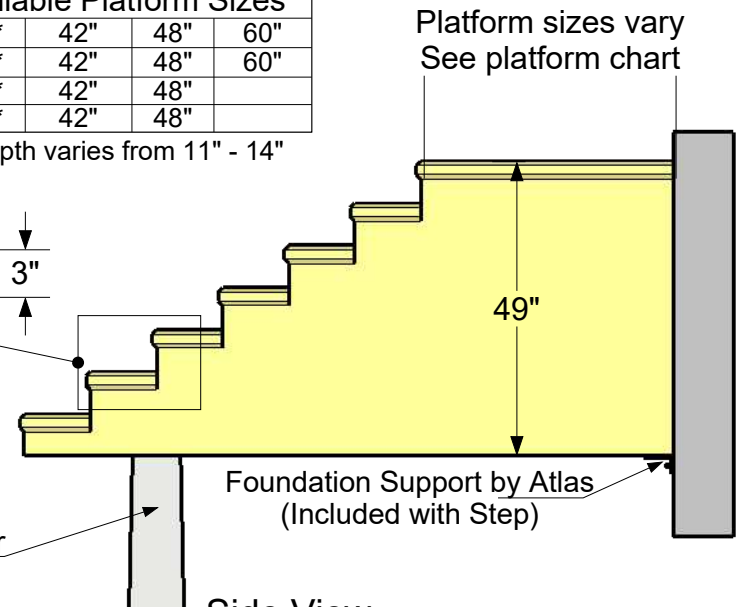
Step Width	Available Platform Sizes			
4'	11" *	42"	48"	60"
5'	11" *	42"	48"	60"
6'	11" *	42"	48"	
8'	11" *	42"	48"	

\* Top tread depth varies from 11" - 14"

Platform sizes vary  
See platform chart



Recommended Precast Deck Pier  
(Sold Separately)



Side View

## Notes

Concrete Compressive Strength -  
5000 PSI at 28 Days  
Reinforcement #3 Grade 60  
Pipe Rails Optional

**ATLAS CONCRETE PRODUCTS**

www.AtlasConcrete.com

65 Burrirt St.  
New Britain CT 06053

800-774-1112  
860-224-2244



7 Rise Commercial Step  
Available in 4', 5', 6' & 8'  
Widths