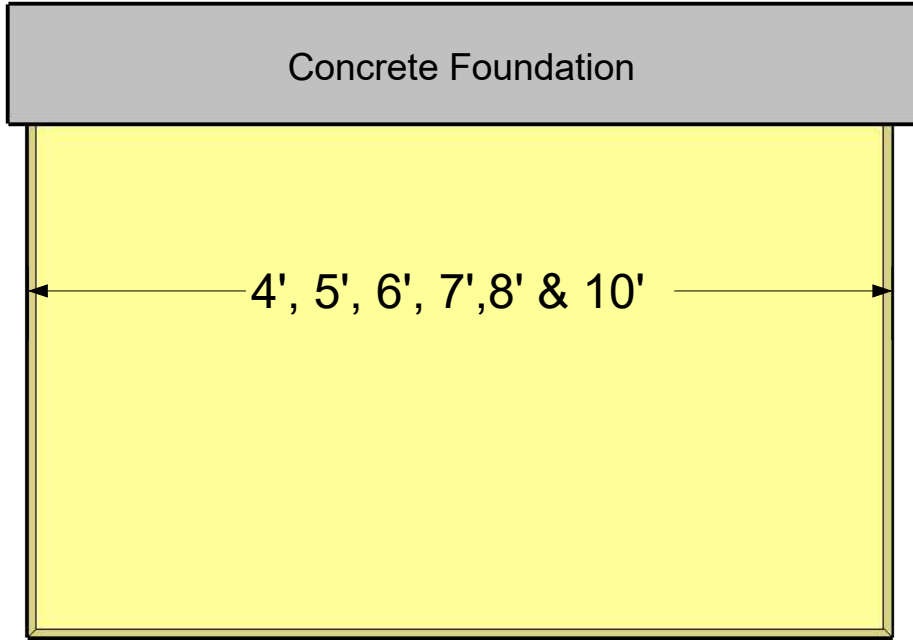
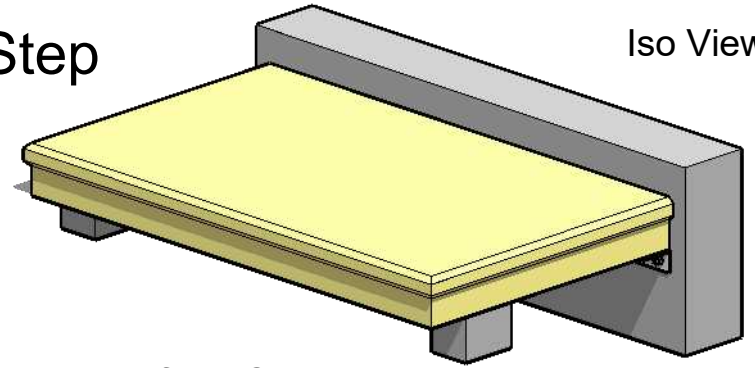


# 1 Rise Residential Step

Iso View



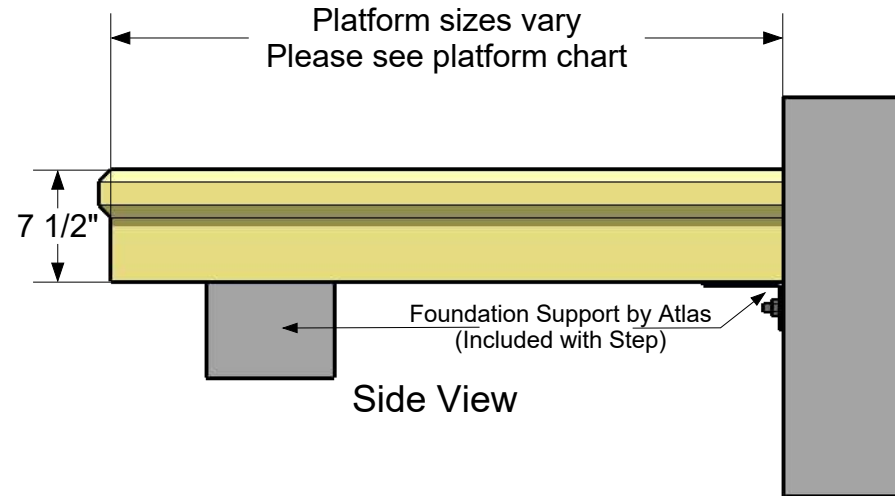
Top View



Platform Chart

Step Width	Available Platform Sizes				
4'	11" *	42"	48"	60"	x
5'	11" *	42"	48"	60"	x
6'	11" *	42"	48"	x	x
7'	11" *	42"	x	60"	66"
8'	11" *	42"	x	x	x
10'	11" *	42"	48"	x	x

\* Varies between 11"-14"



Side View

## Notes

Concrete Compressive Strength -  
5000 PSI at 28 Days  
Reinforcement #3 Grade 60  
Wrought Iron Rails Optional

**ATLAS CONCRETE PRODUCTS**

www.AtlasConcrete.com

65 Burrirt St.  
New Britain CT 06053

800-774-1112  
860-224-2244

**ATLAS**  
CONCRETE PRODUCTS

1 Rise Residential Step  
Available in 4', 5', 6', 7',  
8' & 10' Widths