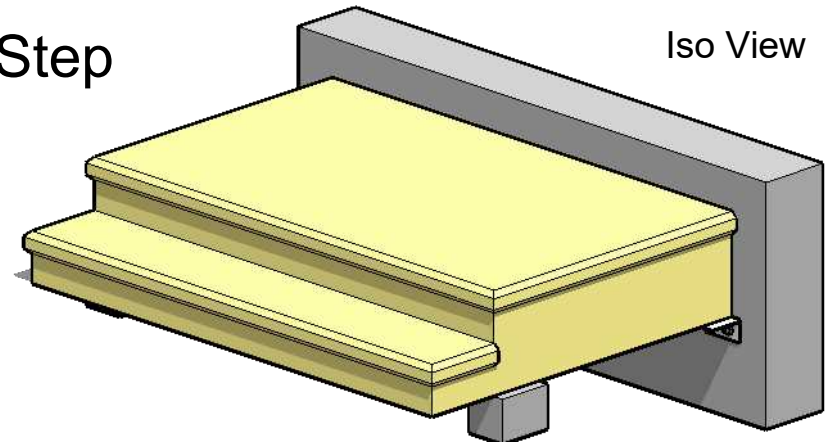
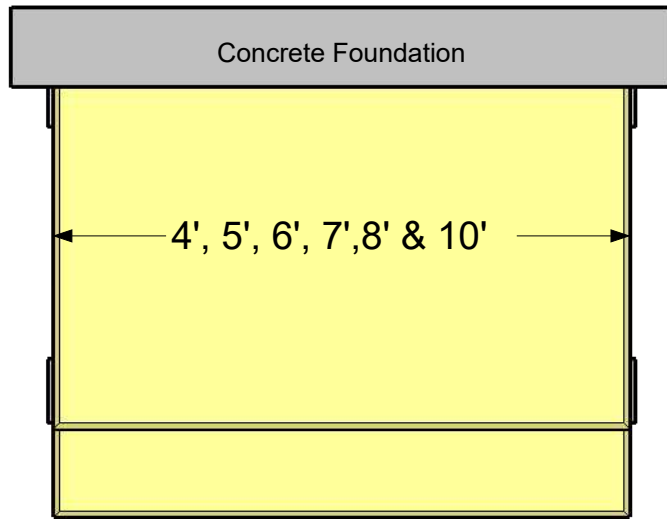


2 Rise Residential Step



Iso View

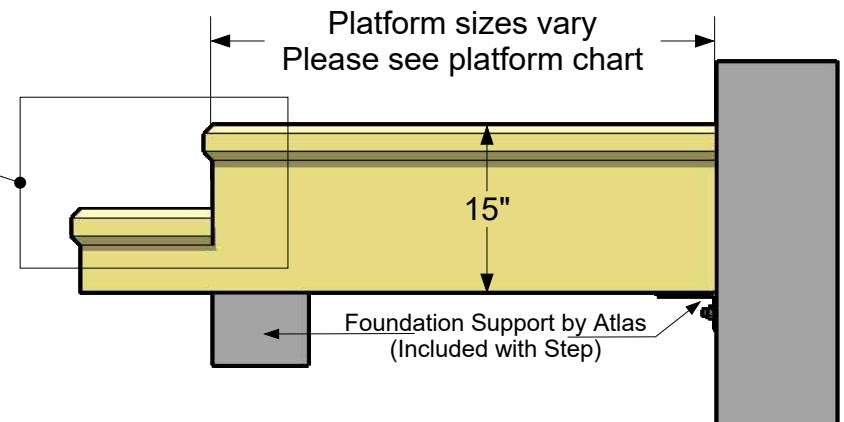
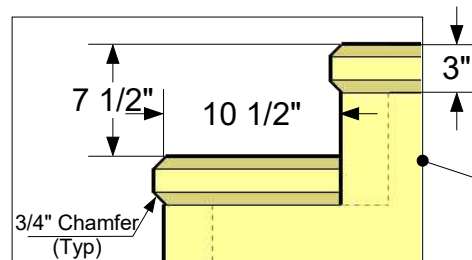


Top View

Platform Chart

Step Width	Available Platform Sizes				
4'	11" *	42"	48"	60"	x
5'	11" *	42"	48"	60"	x
6'	11" *	42"	48"	x	x
7'	11" *	42"	x	60"	66"
8'	11" *	42"	x	x	x
10'	11" *	42"	48"	x	x

* Varies between 11"-14"



Side View

Notes

Concrete Compressive Strength -
5000 PSI at 28 Days
Reinforcement #3 Grade 60
Wrought Iron Rails Optional

ATLAS CONCRETE PRODUCTS

www.AtlasConcrete.com

65 Burrirt St.
New Britain CT 06053

800-774-1112
860-224-2244

ATLAS
CONCRETE PRODUCTS

2 Rise Residential Step
Available in 4', 5', 6', 7',
8' & 10' Widths