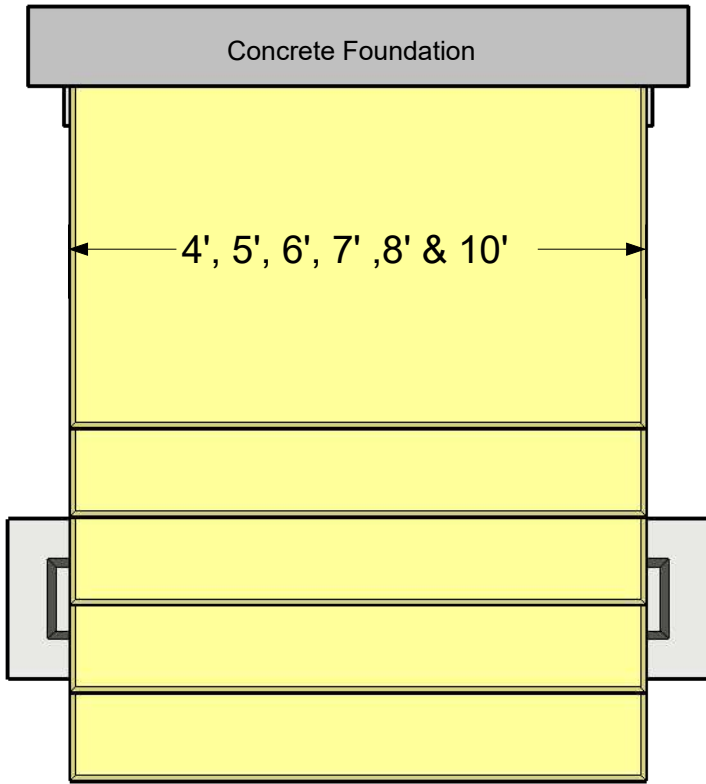
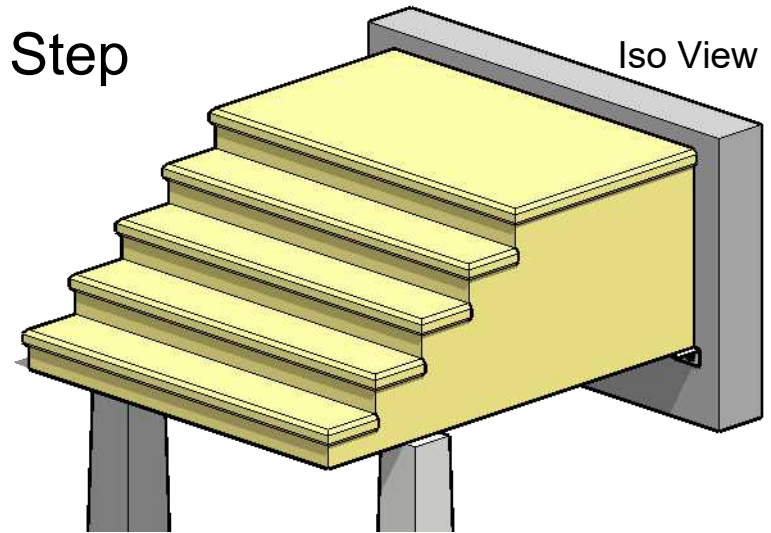


# 5 Rise Residential Step



Top View



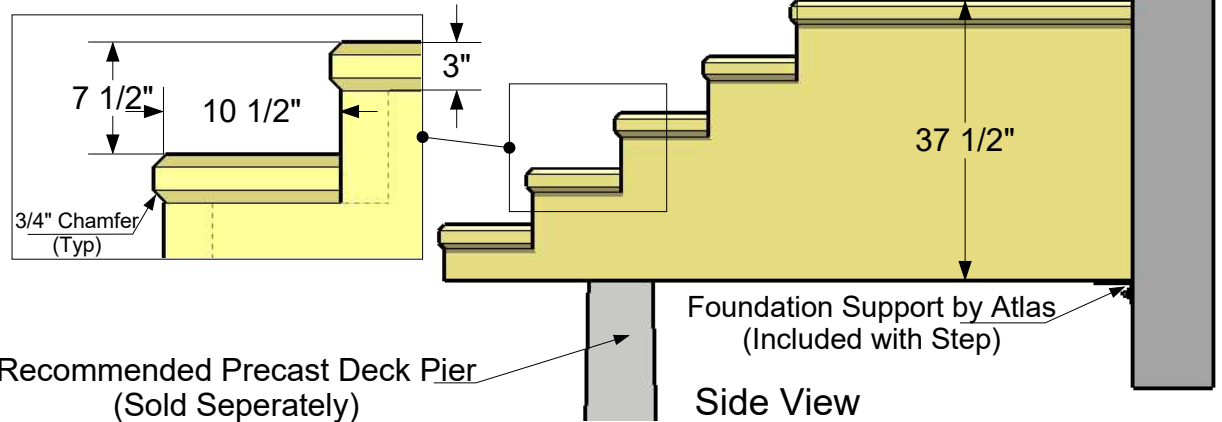
Platform Chart

Step Width	Available Platform Sizes				
4'	11" *	42"	48"	60"	x
5'	11" *	42"	48"	60"	x
6'	11" *	42"	48"	x	x
7'	11" *	42"	x	x	x
8'	11" *	42"	x	x	x
10'	11" *	42"	48"	x	x

\* Varies between 11"-14"

Platform sizes vary  
Please see platform chart

**Notes**  
 Concrete Compressive Strength -  
 5000 PSI at 28 Days  
 Reinforcement #3 Grade 60  
 Wrought Iron Rails Optional



Side View

**ATLAS CONCRETE PRODUCTS**

www.AtlasConcrete.com

65 Burrirt St.  
 New Britain CT 06053

800-774-1112  
 860-224-2244

**ATLAS**  
 CONCRETE PRODUCTS

5 Rise Residential Step  
 Available in 4', 5', 6', 7',  
 8 & 10' Widths