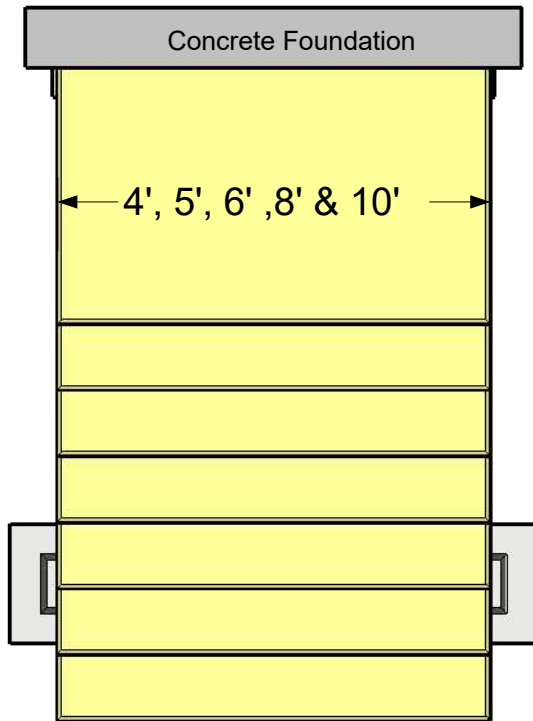
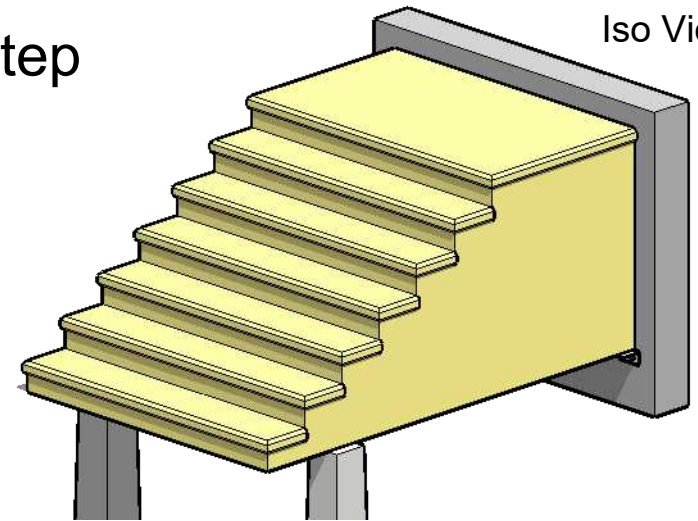


7 Rise Residential Step

Iso View



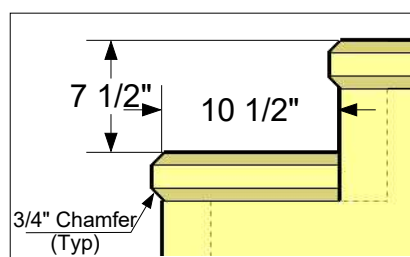
Top View

Platform Chart

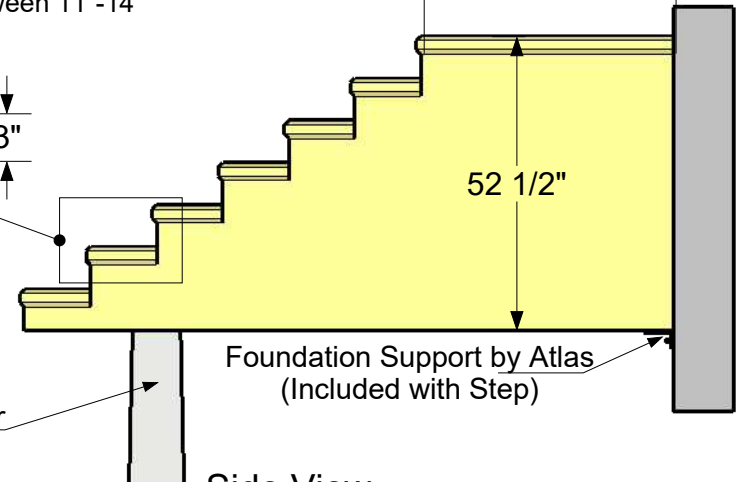
Step Width	Available Platform Sizes				
4'	11" *	42"	48"	x	x
5'	11" *	42"	48"	60"	x
6'	11" *	42"	48"	x	x
8'	11" *	42"	x	x	x

* Varies between 11"-14"

Platform sizes vary
See platform chart



Recommended Precast Deck Pier
(Sold Separately)



Side View

Notes

- Concrete Compressive Strength - 5000 PSI at 28 Days
- Reinforcement #3 Grade 60
- Wrought Iron Rails Optional

ATLAS CONCRETE PRODUCTS

www.AtlasConcrete.com

65 Burrirt St.
New Britain CT 06053

800-774-1112
860-224-2244



7 Rise Residential Step
Available in 4', 5', 6', 8 & 10'
Widths