

# ATLAS CONCRETE PRODUCTS

www.AtlasConcrete.com

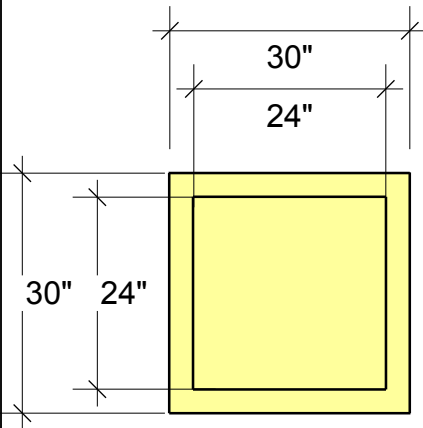
65 Burrirt St.  
New Britain CT 06053

800-774-1112  
860-224-2244  
860-224-2255 Fax

# ATLAS

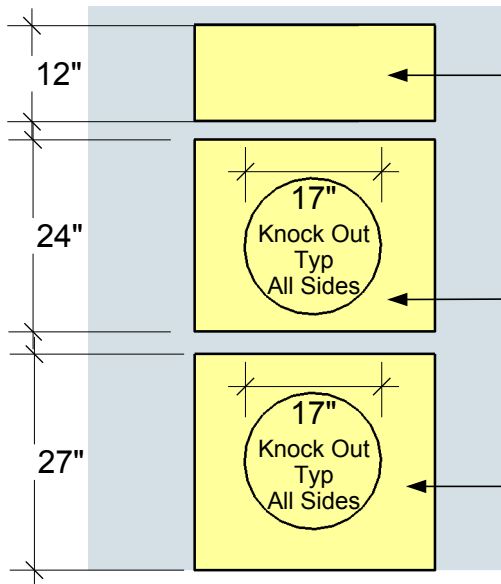
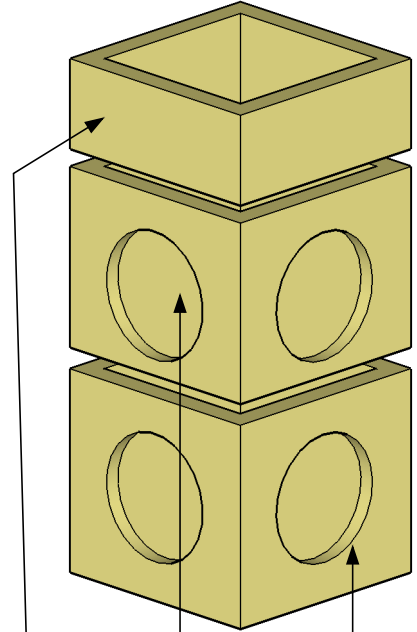
CONCRETE PRODUCTS

## 2 x 2 Yard Drains



Top View  
Scale: 1/2"=1'-0"

ISO View  
Scale: NTS



Right Side View  
Scale: 1/2"=1'-0"

**12" Riser**  
Item # ACP 24x24x12 Riser  
Weight : 340 lbs

**18" Riser**  
Item #: ACP 24x24x18 Riser  
Weight : 520 lbs

**Sump**  
Item #: ACP 2x2x2 Sump  
Weight: 750 lbs

### GENERAL NOTES:

1. CONCRETE 4000 P.S.I -28 DAYS.
2. Cast Iron Covers Available.