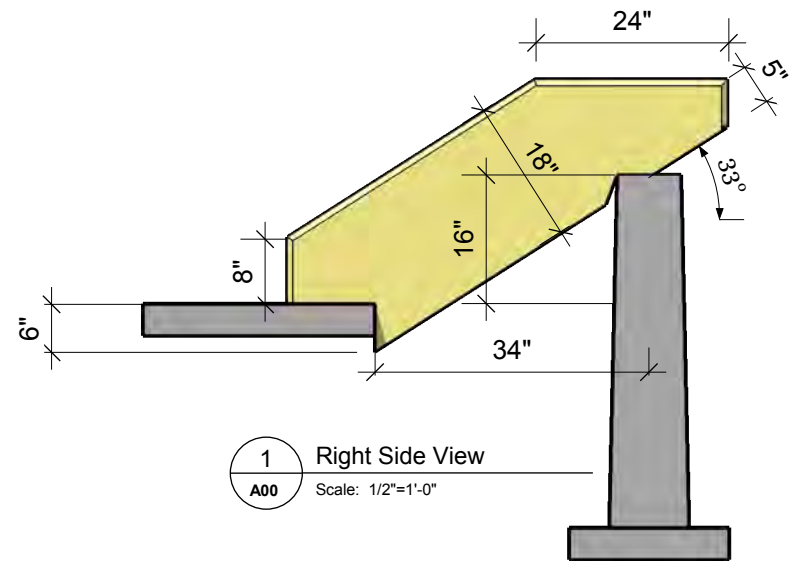
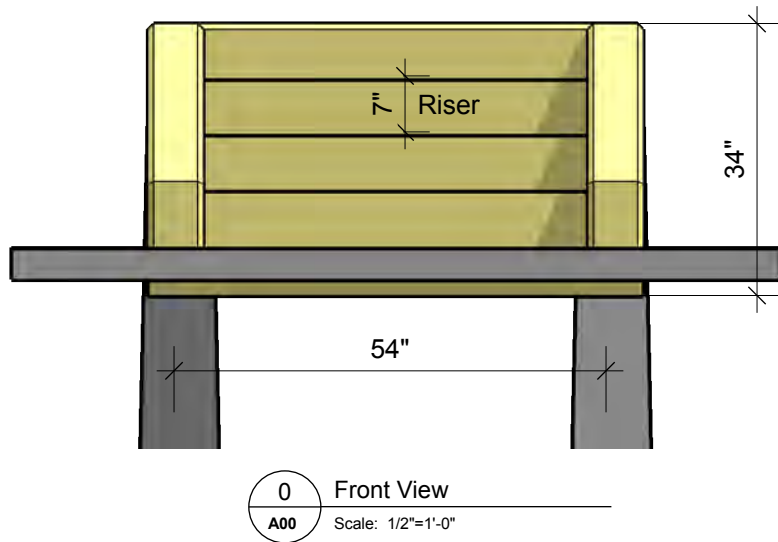
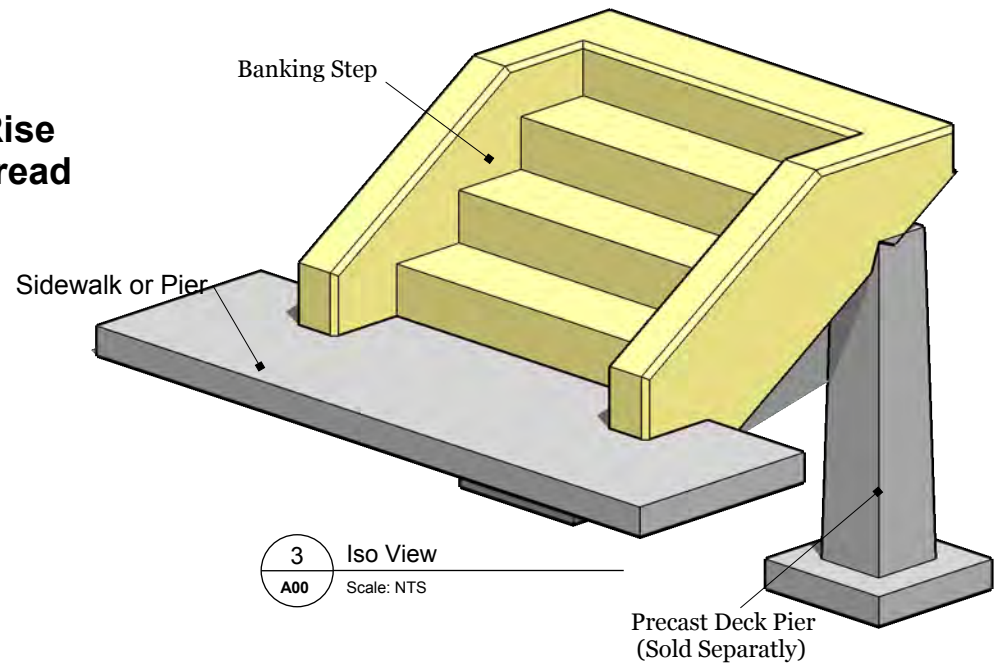


**7" Rise
11" Tread**



ATLAS CONCRETE PRODUCTS

www.AtlasConcrete.com

65 Burrirt St.
New Britain CT 06053

800-774-1112

860-224-2244

860-224-2255 Fax

ATLAS
CONCRETE PRODUCTS

**Banking Step - 4 Rise
2350 Lbs**