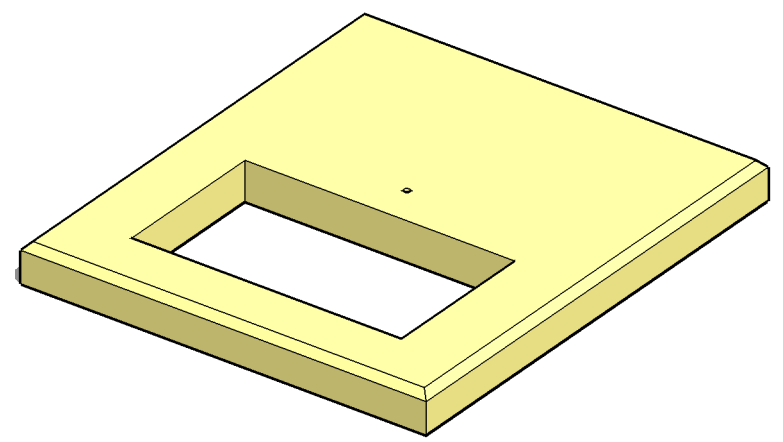
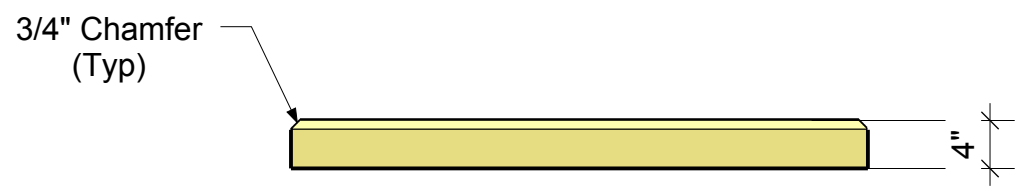


Top View
Scale: 3/4"=1'-0"



ISO View
Scale: NTS



Right Side View
Scale: 1/2"=1'-0"

ATLAS CONCRETE PRODUCTS

www.AtlasConcrete.com

65 Burritt St.
New Britain CT 06053

800-774-1112
860-224-2244
860-224-2255 Fax



P-009 Transformer Pad

Item# P-009 Pad

500 lbs