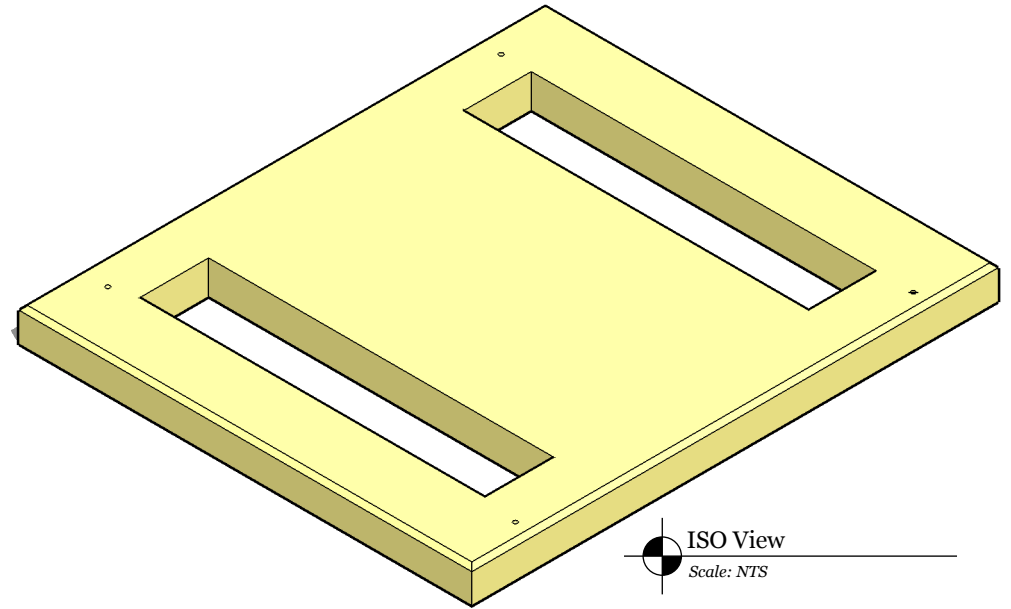
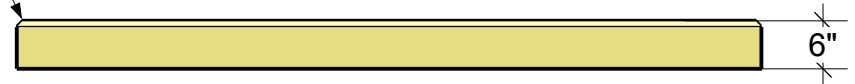


Top View
Scale: 3/4"=1'-0"



ISO View
Scale: NTS

3/4" Chamfer
(Typ)



Right Side View
Scale: 1/2"=1'-0"

ATLAS CONCRETE PRODUCTS

www.AtlasConcrete.com

65 Burrirt St.
New Britain CT 06053

800-774-1112
860-224-2244
860-224-2255 Fax



P-019 Three Phase Switchgear

Item# P-019 Pad

3100 lbs