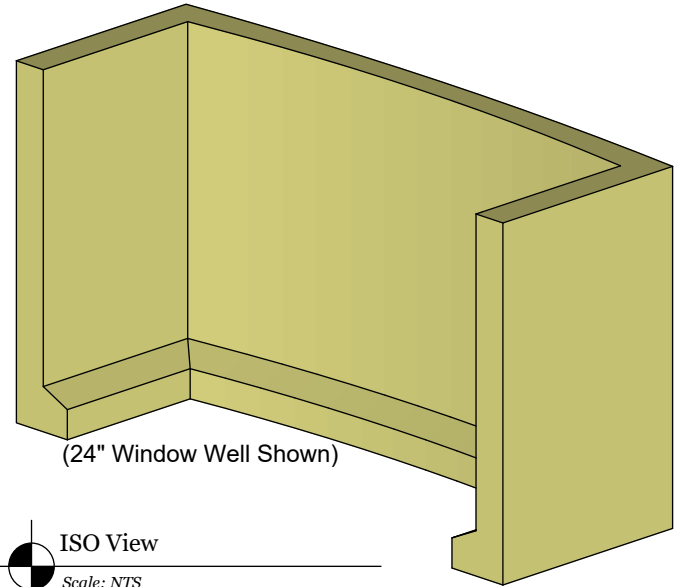
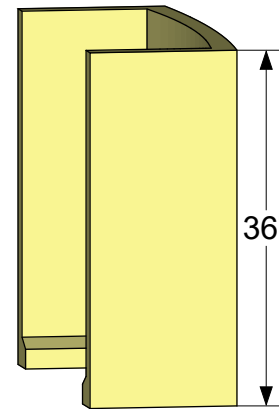


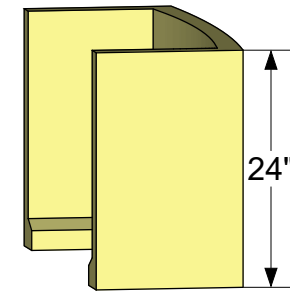
Top View
Scale: NTS



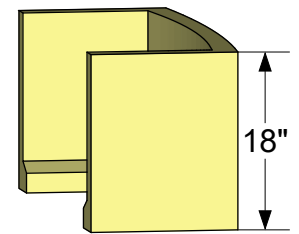
ISO View
Scale: NTS



Weight = 500 lbs



Weight = 350 lbs



Weight = 270 lbs

Left Side View
Scale: NTS

ATLAS CONCRETE PRODUCTS

65 Burritt St.
New Britain CT, 06053

AtlasConcrete.com
Phone: 860-224-2244
Fax: 860-224-2255



18", 24", 36" Window Wells