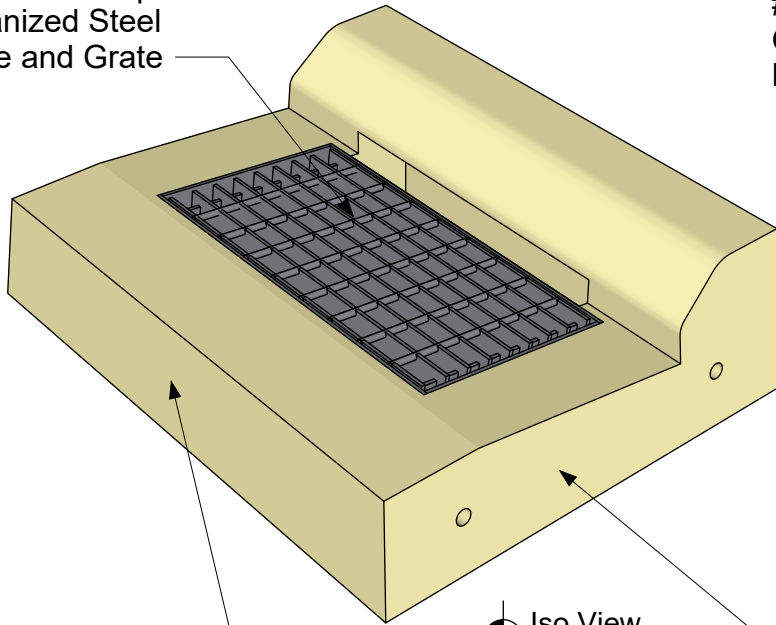
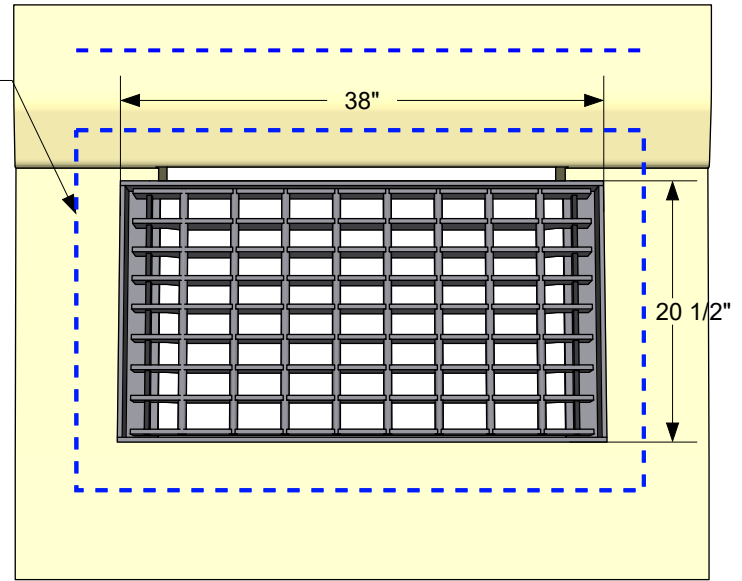


CTDOT Hot Dip Galvanized Steel Frame and Grate

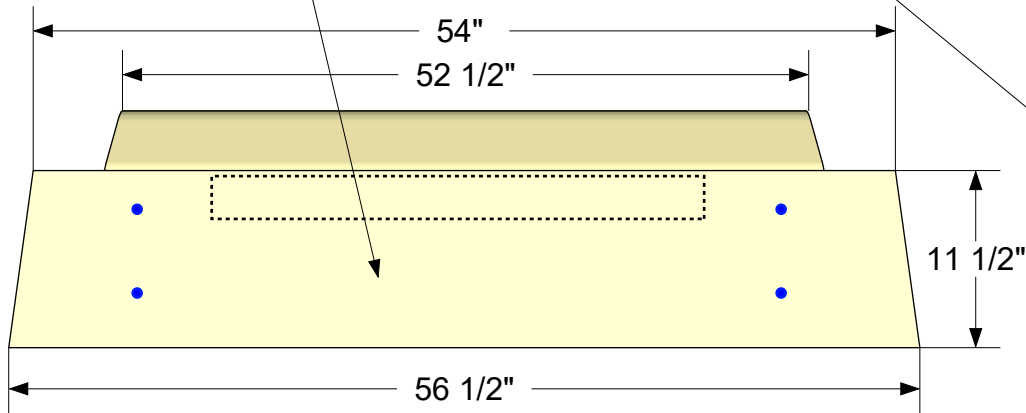


Iso View

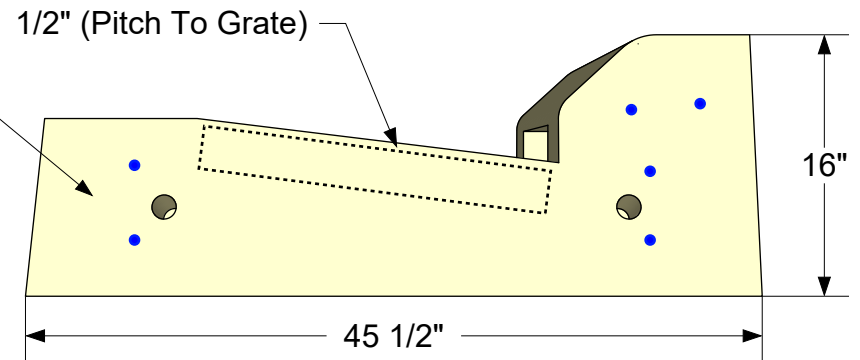
#4 Rebar Around Opening Top and Bottom + in Curb



Top View



South Side View



East Side View

Note: Min. 5000 psi SCC Concrete

ATLAS CONCRETE PRODUCTS

65 Burritt St.
New Britain CT, 06053

AtlasConcrete.com
Phone: 860-224-2244
Fax: 860-224-2255



Catch Basin Top with Curb
"Type C"

Weight: ~1800 lb